

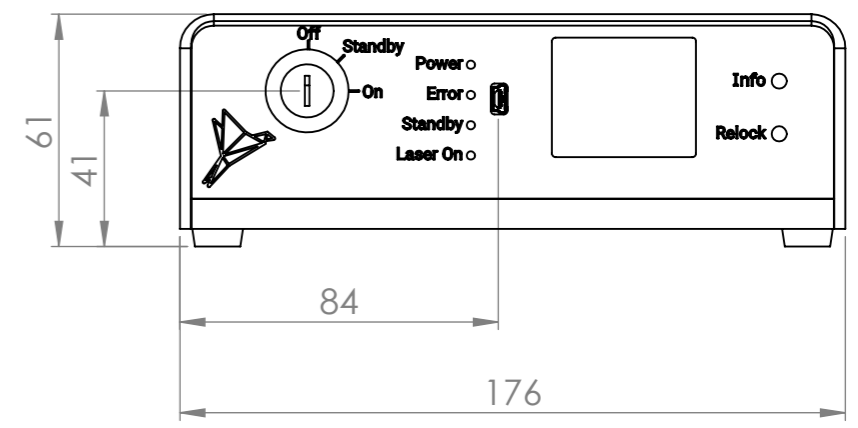
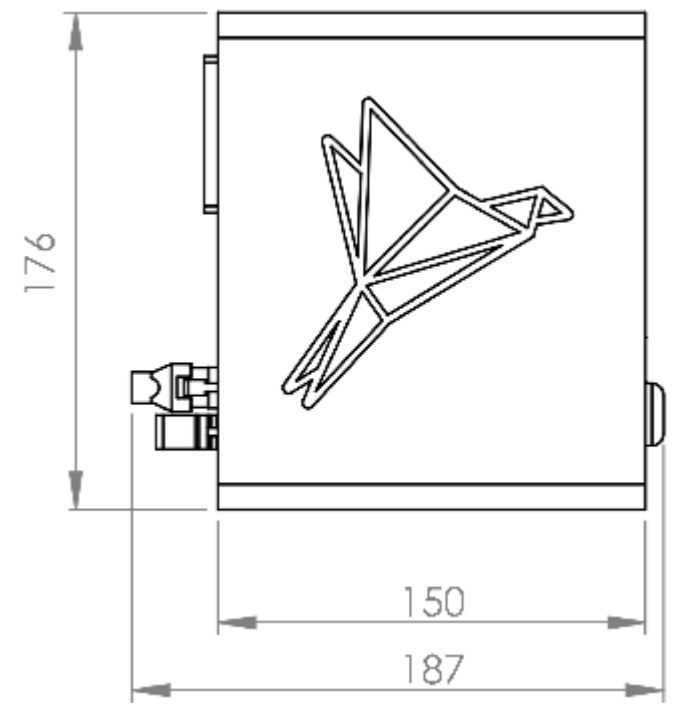
4x LED Indicator

Power: Shows if device is connected to power supply
 Error: Indicates an error in the system
 Standby: Indicates device is waiting for a command
 Laser On: Indicates laser diode being active

2x Button

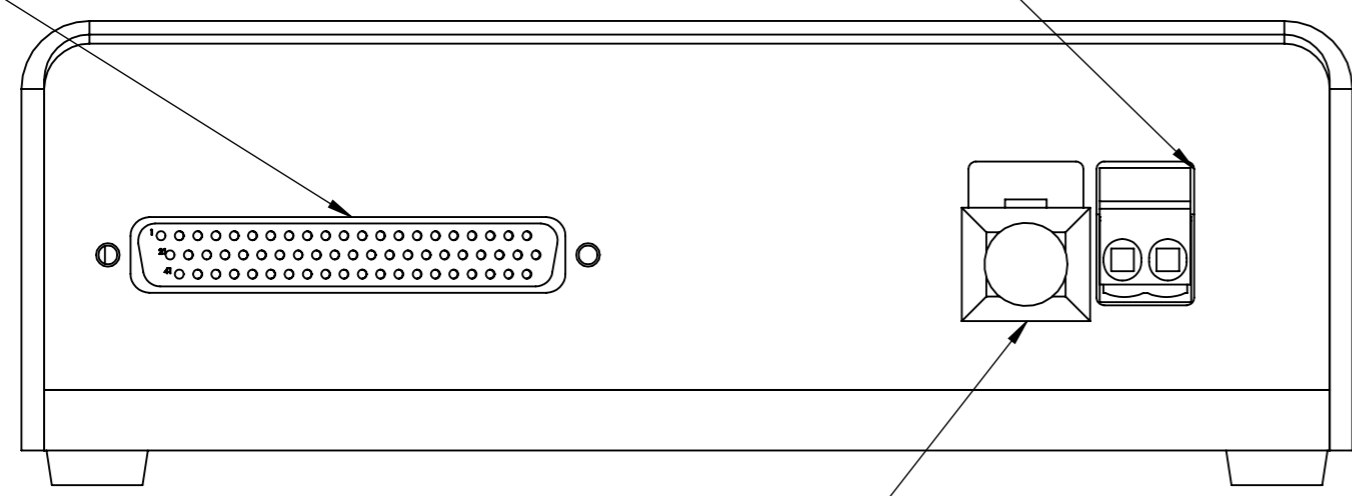
Info: Displays information about the system on the screen
 Relock: Locks the system

Skylark Controller

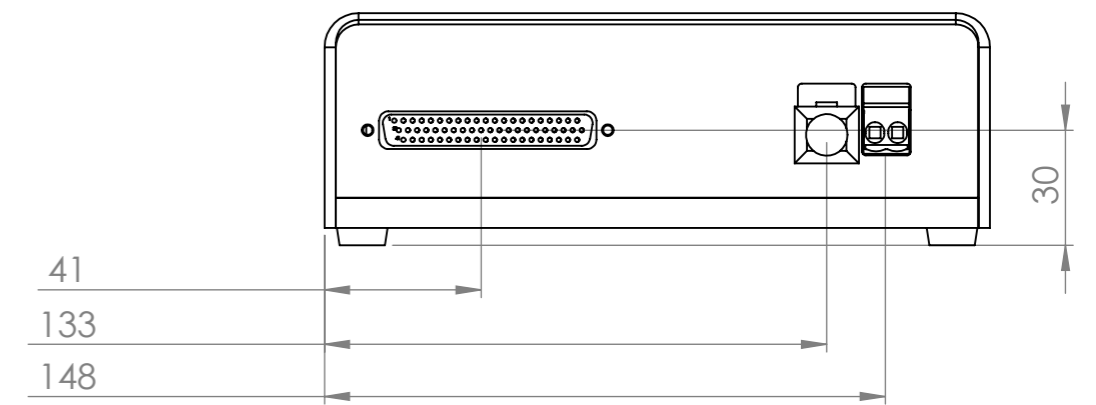


62-pin DSUB connector for communication with laser head

Interlock for safety system implementation



Power Connector Molex 39-30-1060



Dimensions in mm
 General tolerances: per DIN/ISO 2768-FH
 Form/Position tolerances: per DIN/ISO 1101
 Edges: per DIN/ISO 6784

	SCALE: 1:2	STOCK NUMBER:
		TITLE:
PROJECT:	MATERIAL:	DWG NO: ()
		REVISION:
		SHEET 1 OF 1

The copyright in this work belongs to Skylark Lasers Ltd. and the document is issued in confidence for the purposes only for which it is supplied. It should not be copied in whole or in part or used for tendering of manufacturing purposes except under agreement or with written consent of Skylark Lasers Ltd. and then only on the condition that this notice is repeated in any such copy