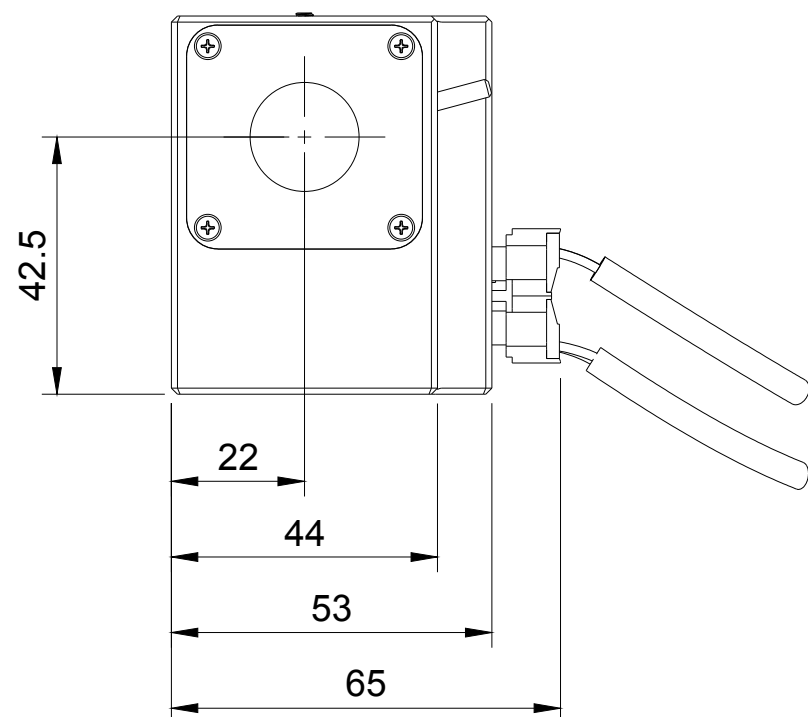
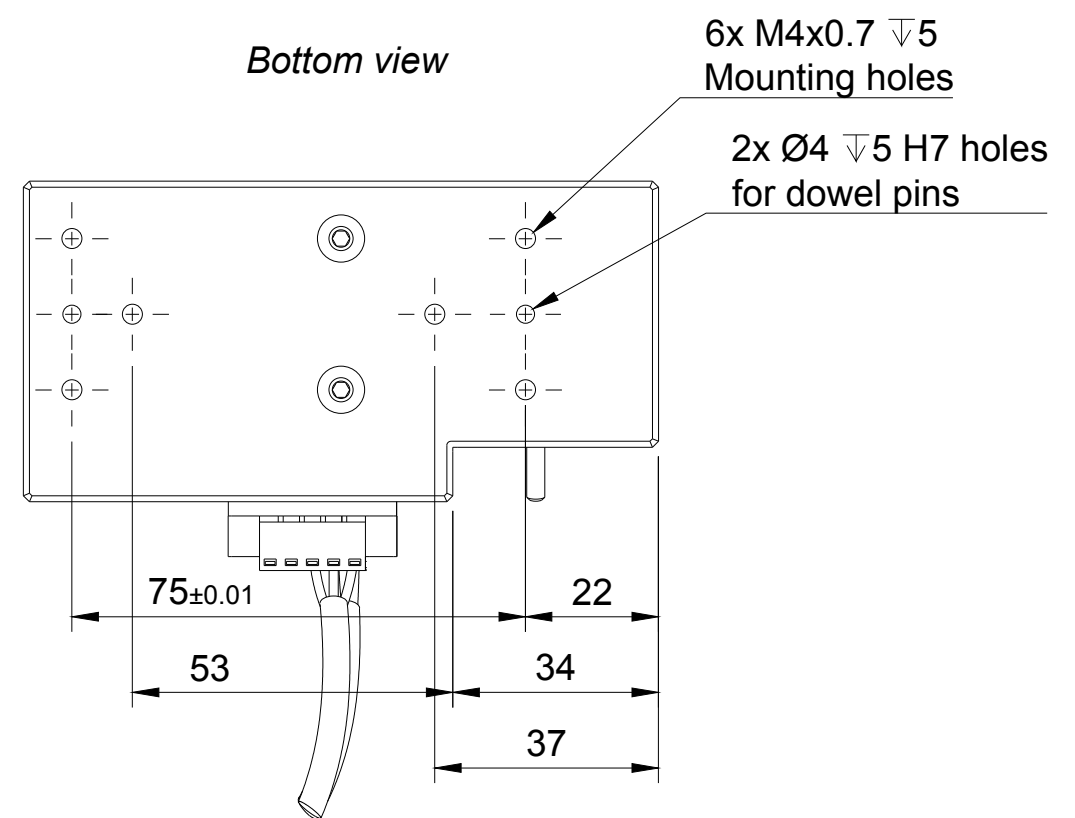


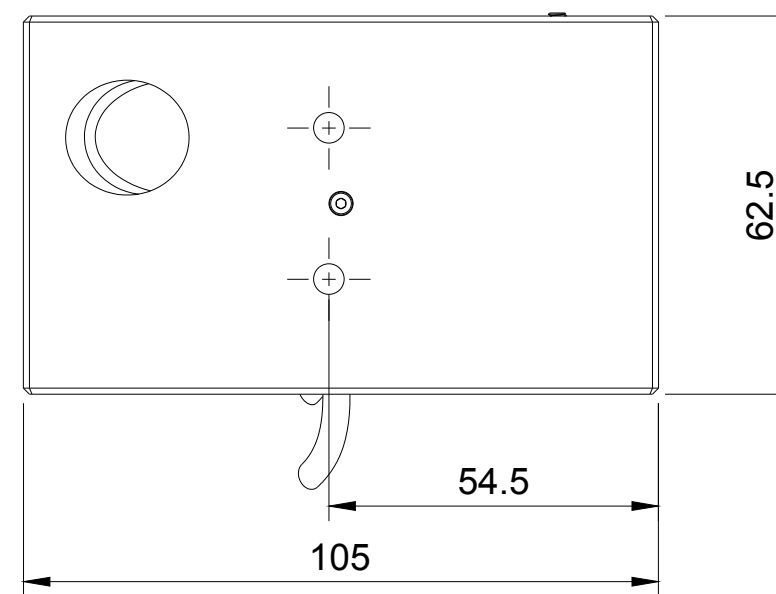
Front view



Bottom view

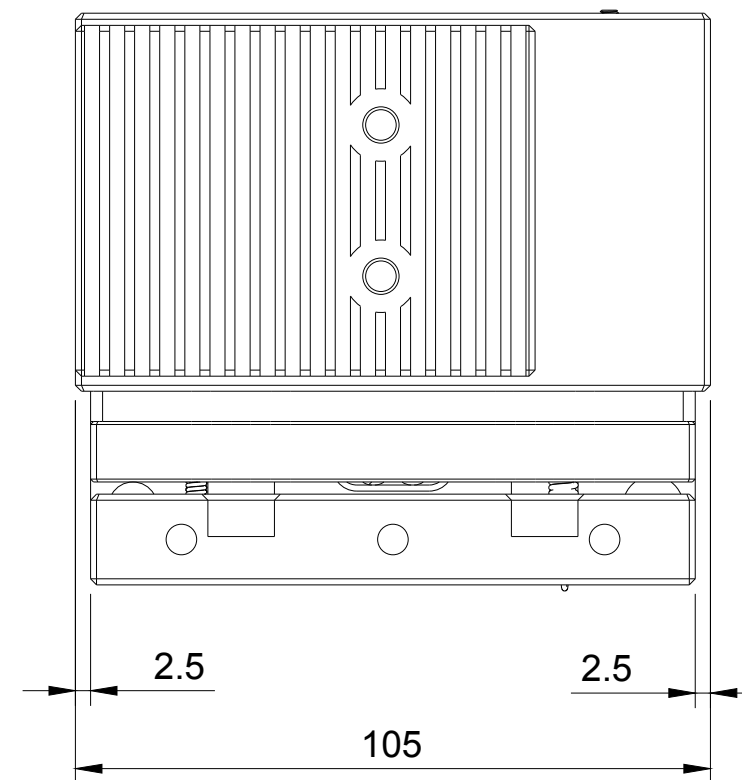
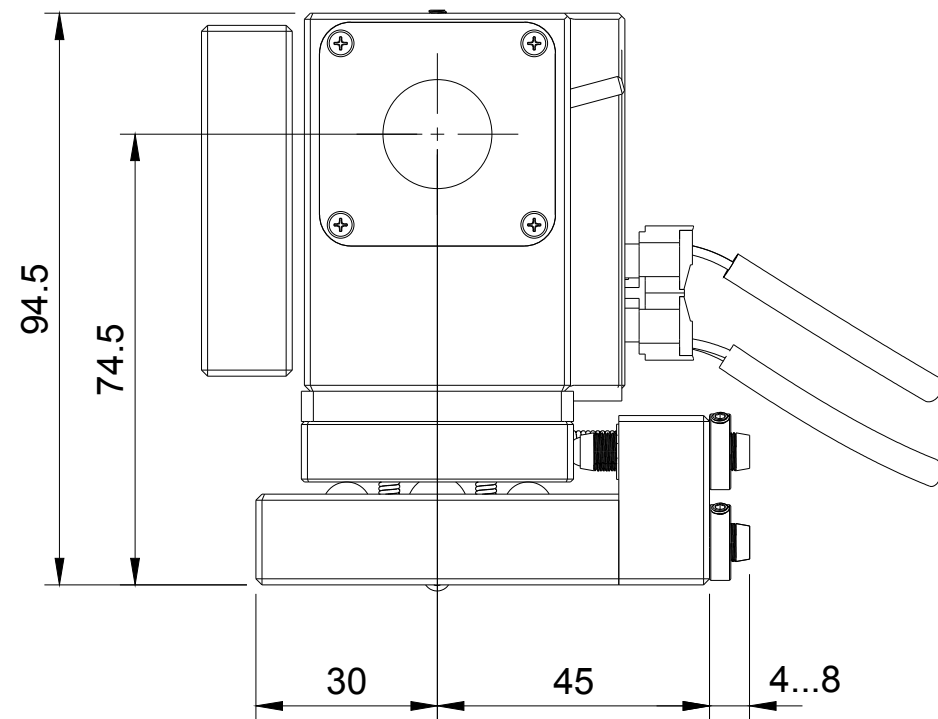
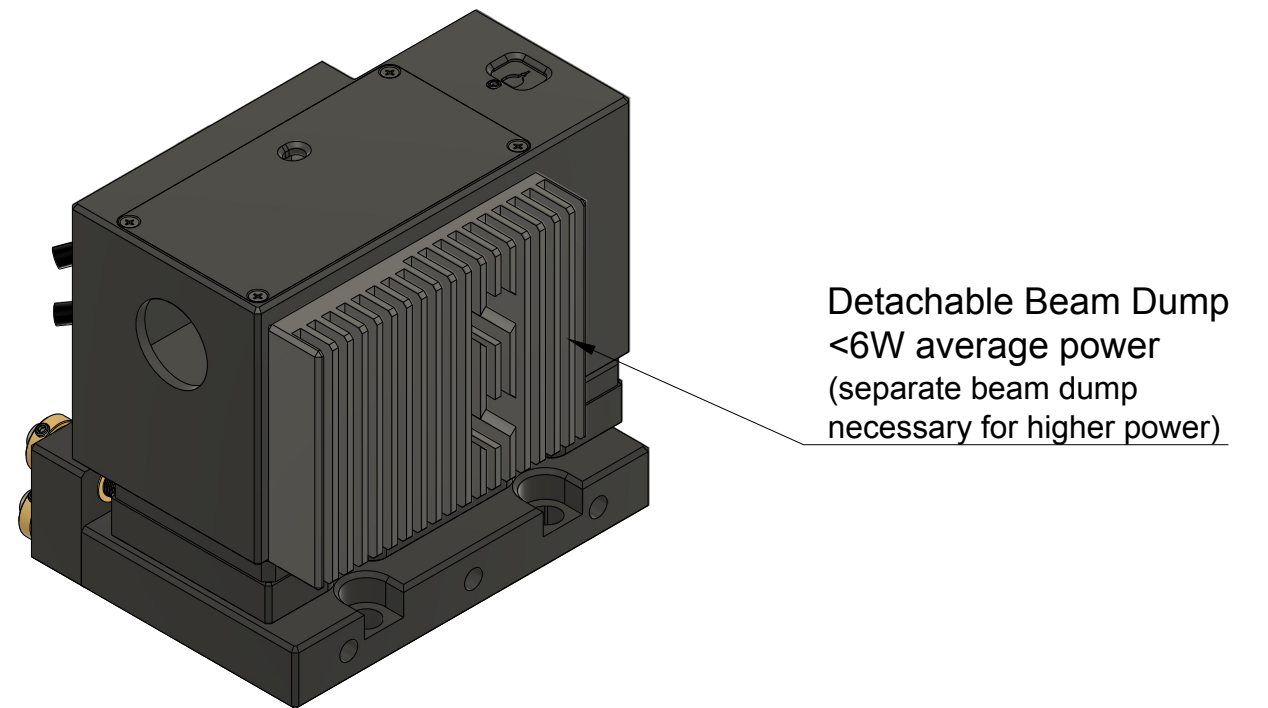
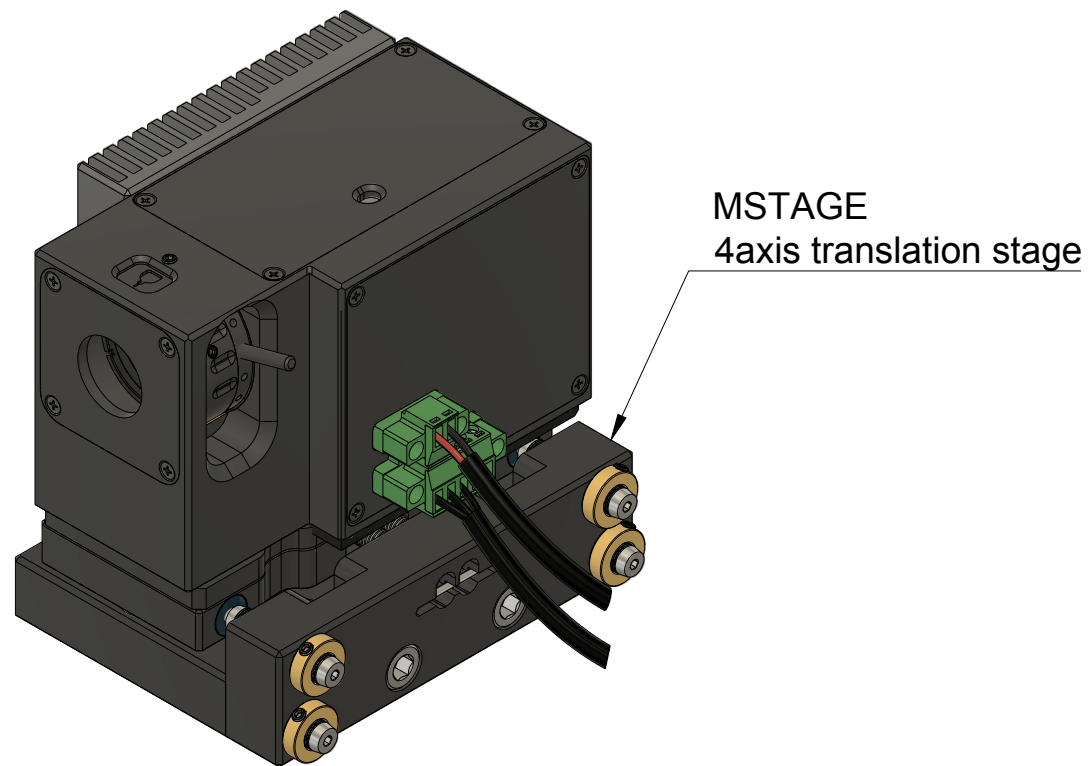


Side view



! FOR INFORMATION ONLY **!**
NOT FOR MANUFACTURING PURPOSES

	Finish	Anodized Aluminium	Created by	2022-02-01	
	Title	FTC Flat Top Converter	DWG No.	FTCv1.1	
	Scale	1:1.5	A3	Sheet	1/2



! FOR INFORMATION ONLY !
NOT FOR MANUFACTURING PURPOSES !



Finish
Anodized Aluminium

Created by
Optogama 2022-02-01

Title
FTC
Flat Top Converter

DWG No.
FTCv1.1

Scale
1:1.25 A3

Sheet
2/2