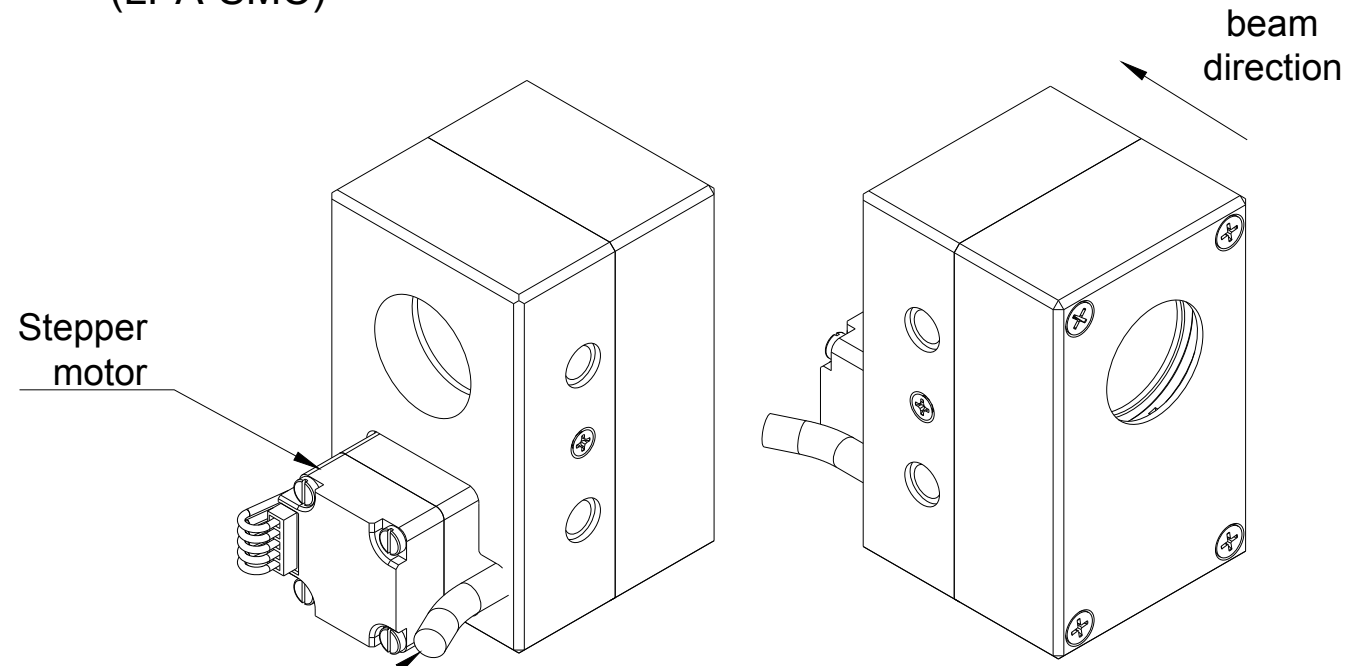
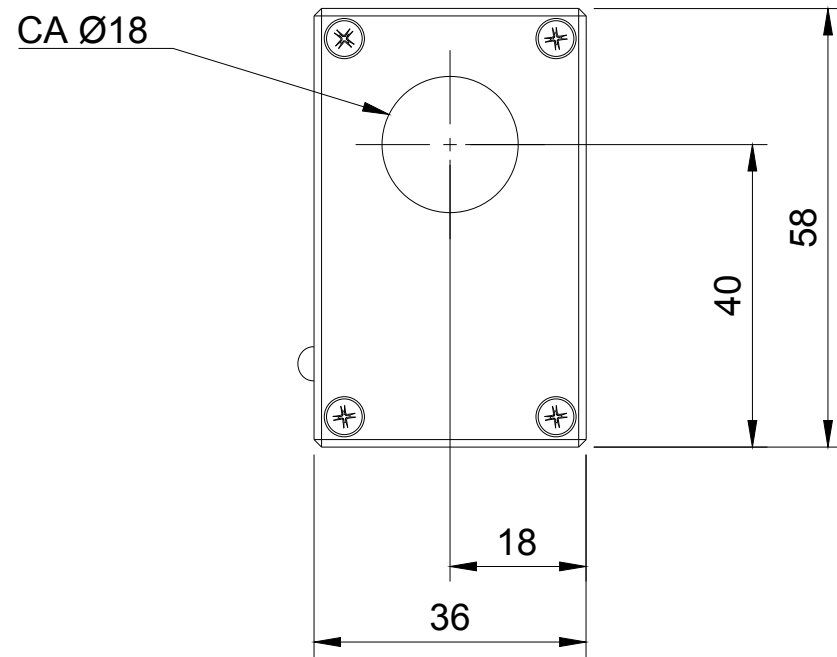


**NOTE:** external controller included (LPA-SMC)

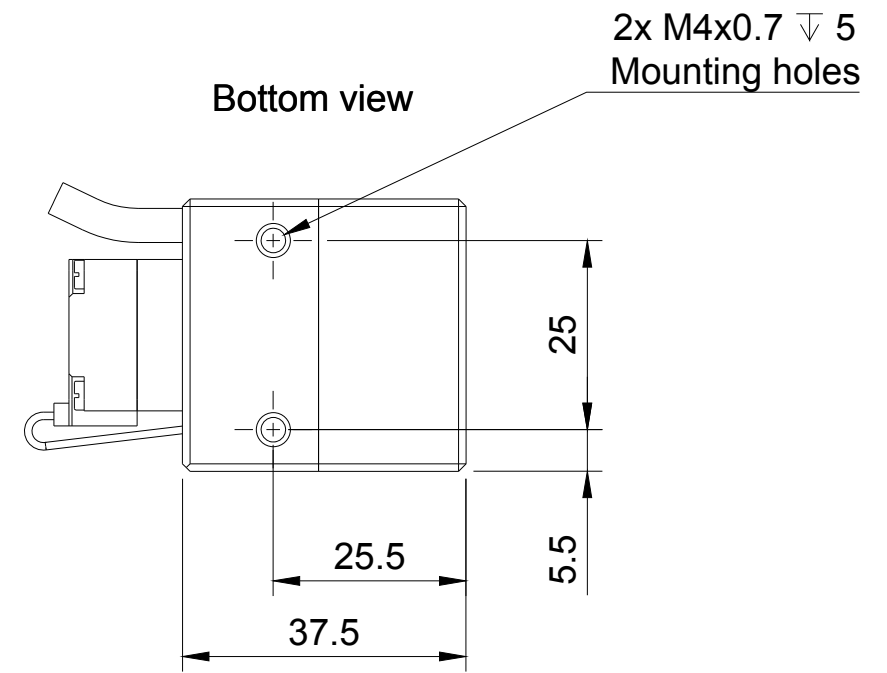


Stepper motor  
Cable to SMC controller

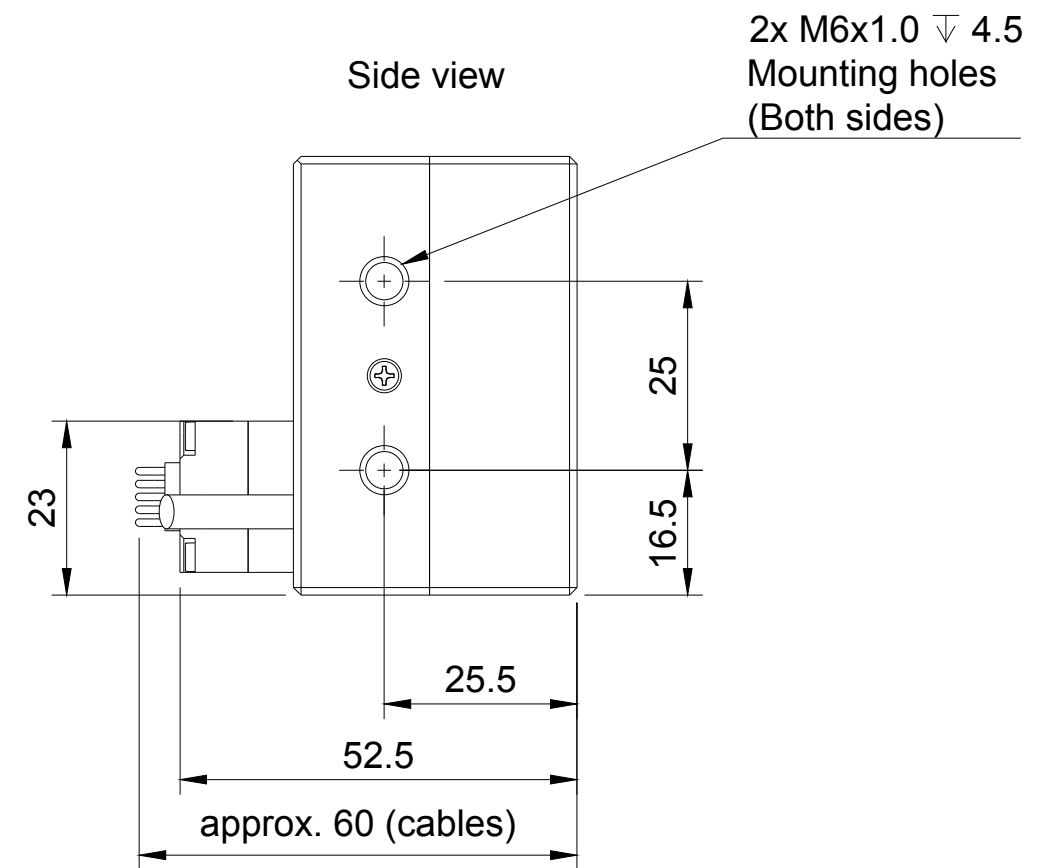
Front view



Bottom view



Side view



**NOTE:** Natural anodized for UV  
Black anodized for VIS and NIR

**!** FOR INFORMATION ONLY  
NOT FOR MANUFACTURING PURPOSES **!**

Finish	Anodized Aluminium		Created by	2021-09-28	
Title	Rotator v1.2		DWG No.	ROTV1.2	
Scale	1:1	A3	Sheet	1/1	