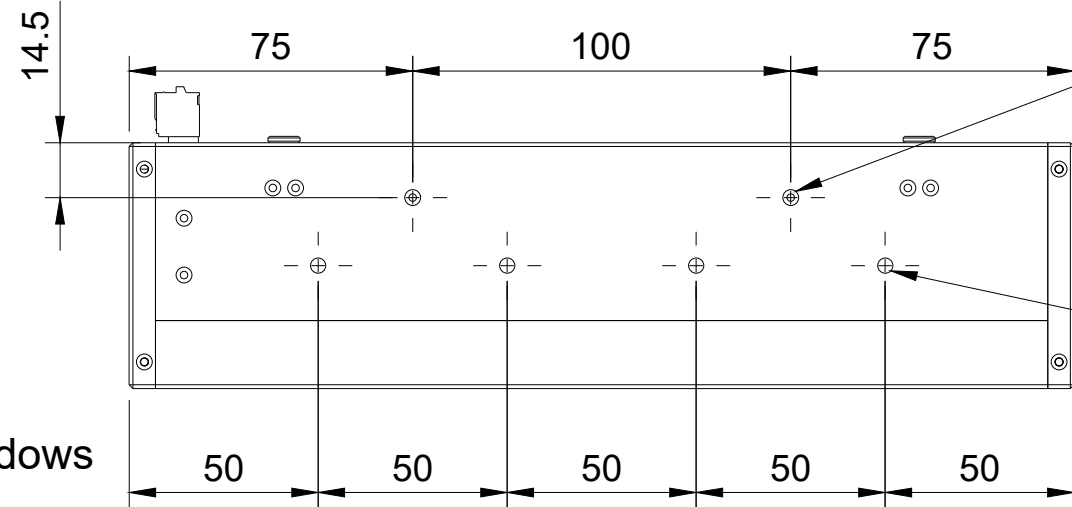


Lens carrier locking screws M1.6x10
Please Remove before Power On

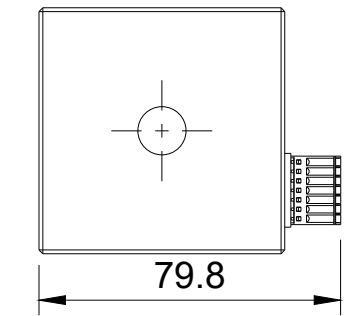
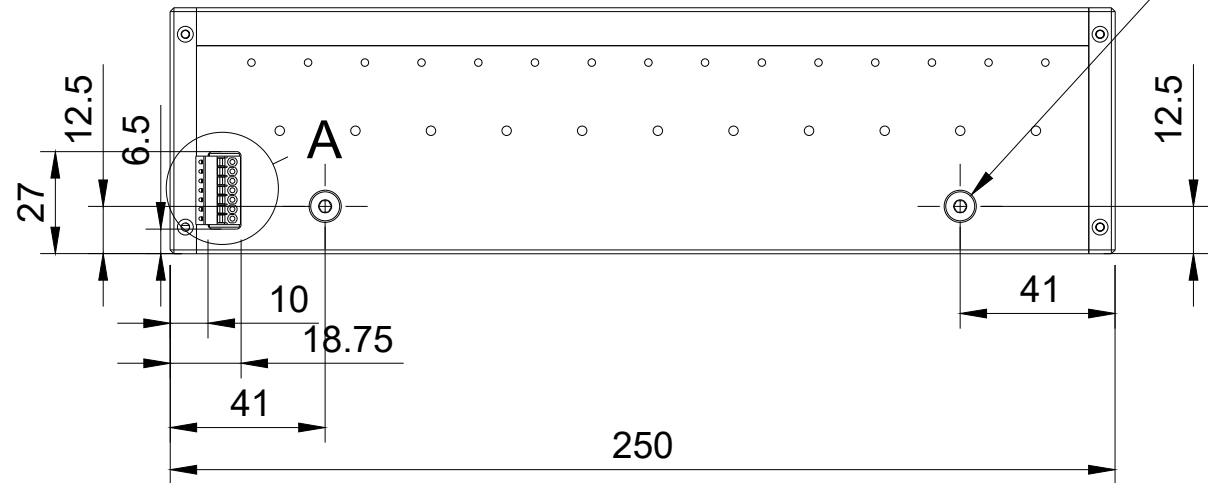
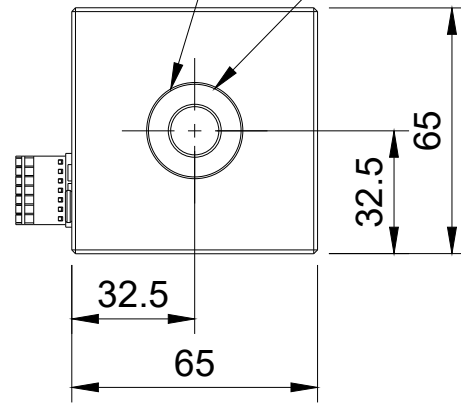


M4x0.7 ∇ 3.5
 4 x Mounting holes

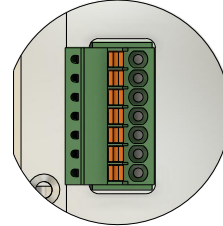
Optional protective windows
 for input and output
 with retaining rings.
 User serviceable

M5x0.8 ∇ 4
 2 vent holes for push in fittings
 recommended pressure
 0.1-0.2 bar (1.5 - 3 PSI)

Input CA \varnothing 11.5
 Output CA \varnothing 24



A (1:1)



691382000007 Würth Electronic
 TERM BLOCK HDR 7POS VERT
 2.5MM

! FOR INFORMATION ONLY **!**
 NOT FOR MANUFACTURING PURPOSES

Finish Anodized/RAW Aluminium	Created by 2/24/2022
Title MEX15HP v3	DWG No. MEX15HP v3
Scale 1:2	Sheet 1/1