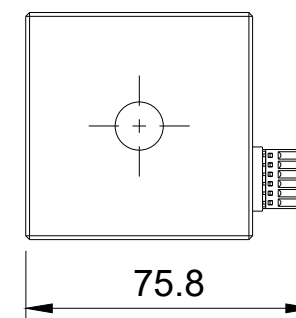
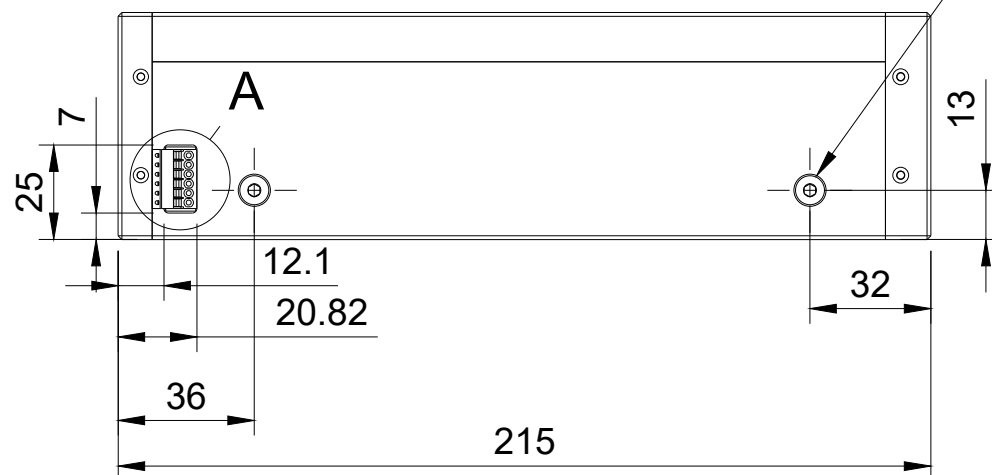
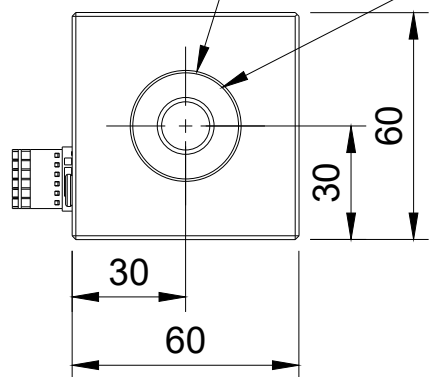


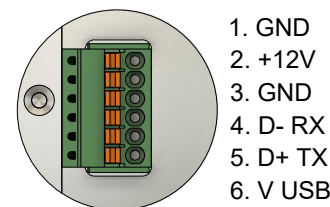
Optional protective windows
for input and output
with retaining rings.
User serviceable

Input CA \varnothing 11.5
Output CA \varnothing 28

M5x0.8 ∇ 4
2 vent holes for push in fittings
Recomended pressure
0.1-0.2 bar (1.5 - 3 PSI)



A (1:1)



691382000006 Würth Electronic
TERM BLOCK HDR 6POS VERT
2.5MM

! FOR INFORMATION ONLY
NOT FOR MANUFACTURING PURPOSES **!**

Finish Anodized/RAW Aluminium	Created by 3/18/2022		
Title MEX13HP v3 High Power Motorized Beam Expander	DWG No. MEX13HP v3		
Scale 1:5	A3	Sheet 1/1	