

1 2 3 4 5 6 7 8

A

A

B

B

C

C

D

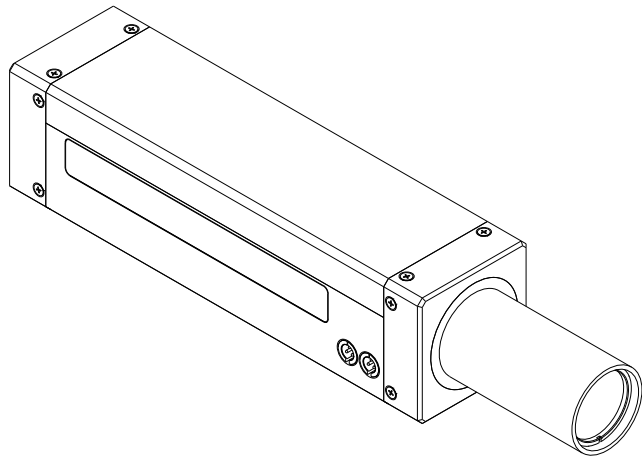
D

E

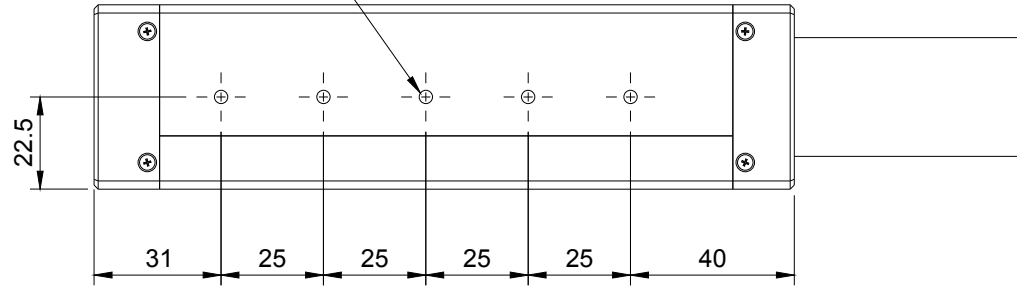
E

F

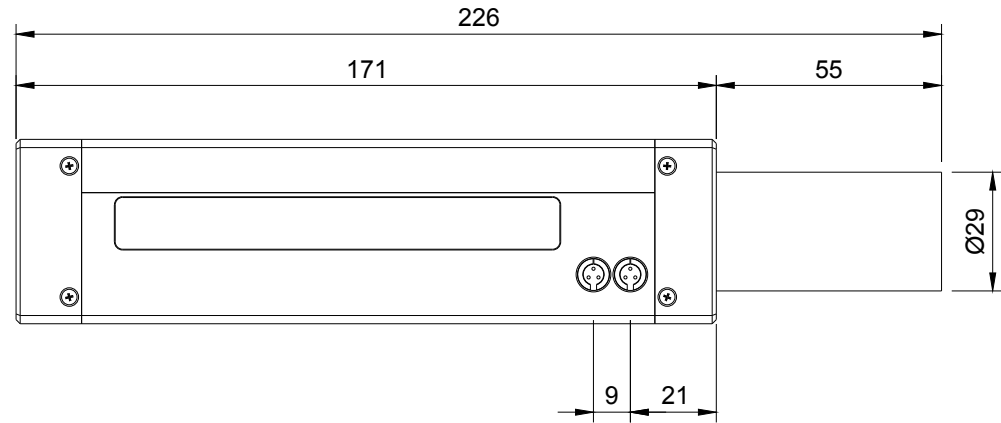
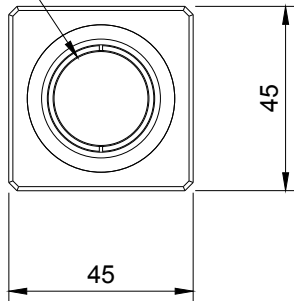
F



M4x0.7  $\nabla$  5  
5 x Mounting holes



Input CA  $\varnothing$ 11  
Output CA  $\varnothing$ 23



**!** FOR INFORMATION ONLY **!**  
**NOT FOR MANUFACTURING PURPOSES**

Finish Black Anodized		Created by 14/06/2019	
Title MEX18-ACH 1.0x - 8.0x Aluminium		DWG No. MEX18-ACH	
Scale 1:1.25	A3	Sheet 1/6	

1 2 3 4 5 6 7 8