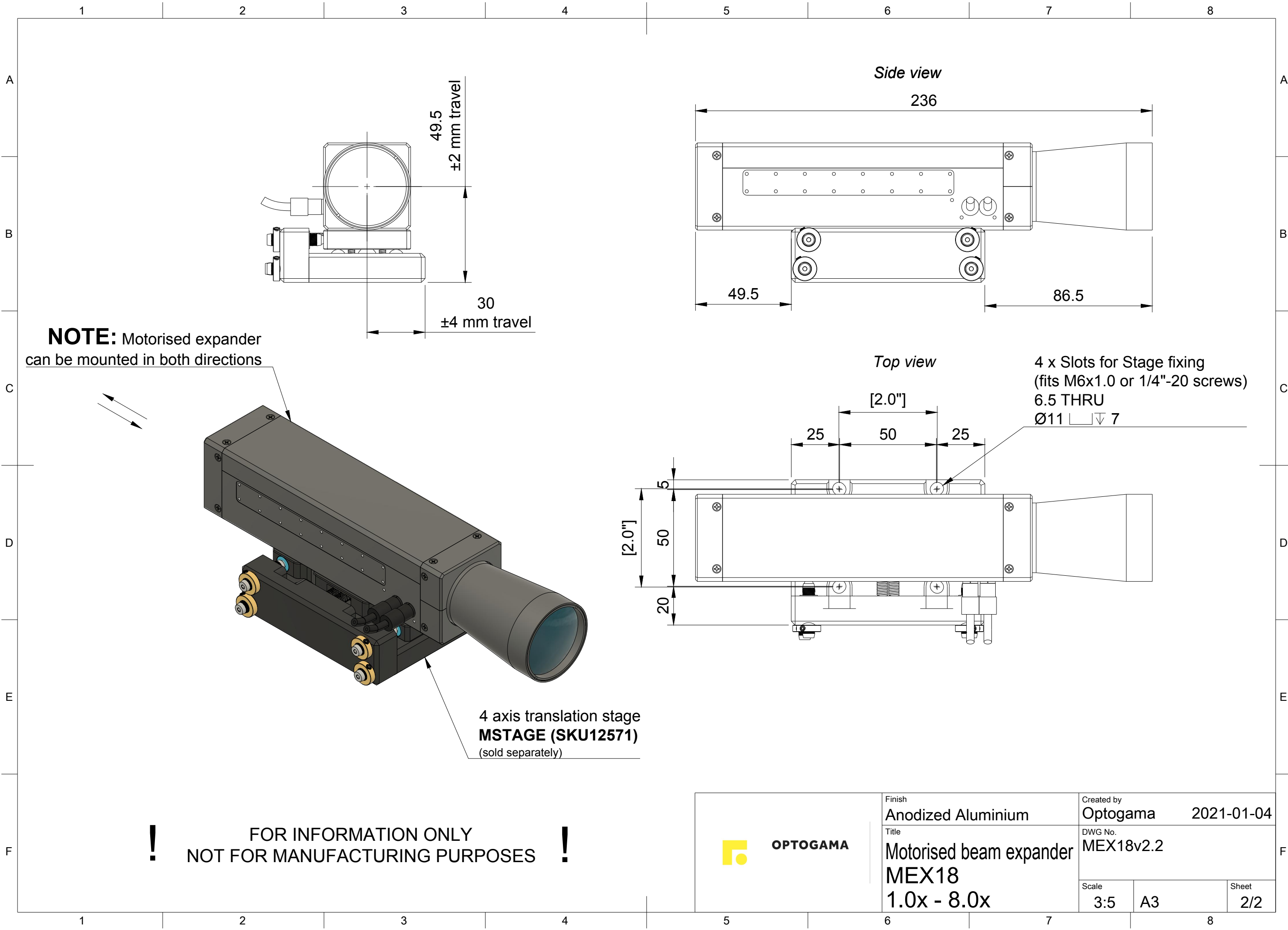



! FOR INFORMATION ONLY **!**
NOT FOR MANUFACTURING PURPOSES

NOTE: Natural anodized aluminium for UV
Black anodized aluminium for VIS and NIR

	Finish	Anodized Aluminium			Created by	2021-01-04	
	Title	Motorised beam expander MEX18			DWG No. MEX18v2.2		
	Scale	3:5	A3	Sheet	1/2		



 OPTOGAMA	Finish Anodized Aluminium	Created by Optogama	2021-01-04
	Title Motorised beam expander MEX18 1.0x - 8.0x	DWG No. MEX18v2.2	
	Scale 3:5	A3	Sheet 2/2