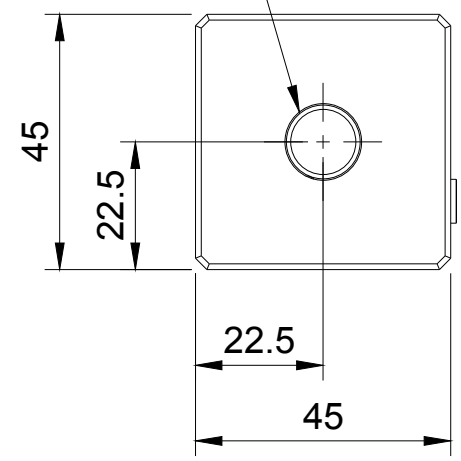
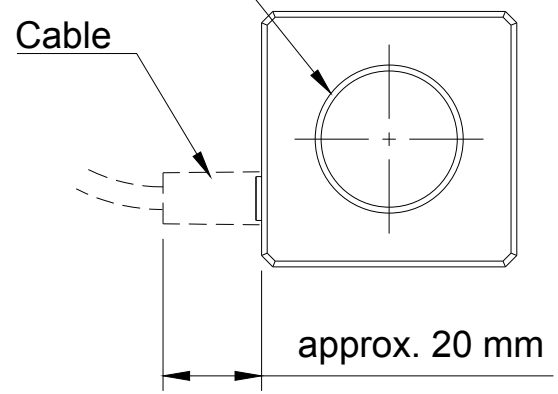


Output CA Ø23
 SM1 Thread $\nabla 4.5$ for
 1" or 25mm protective windows
 up to 2mm thickness
 (SM1RR retaining ring necessary)

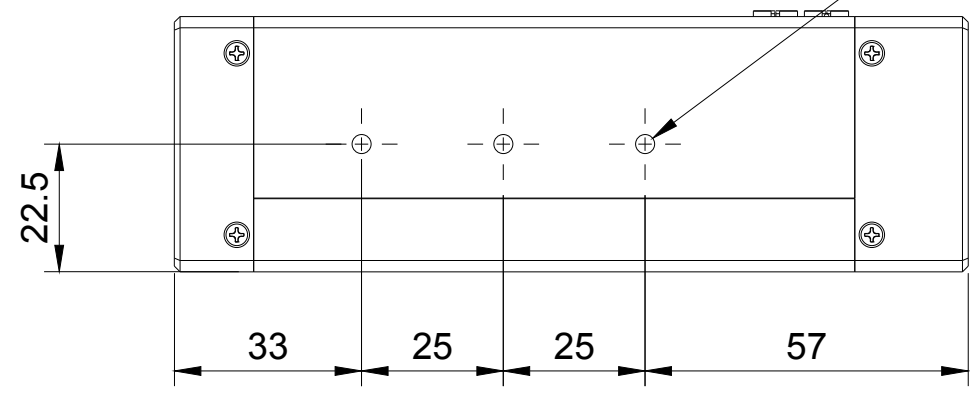
Input CA Ø11.5
 SM05 Thread $\nabla 3.5$ for
 1/2" or 12mm protective windows
 up to 2mm thickness
 (SM05RR retaining ring necessary)

Output view

Input view

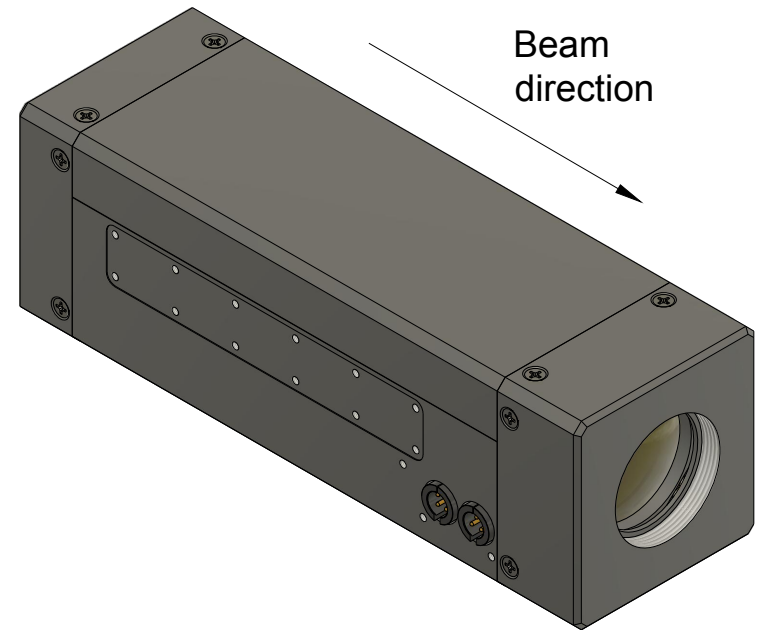
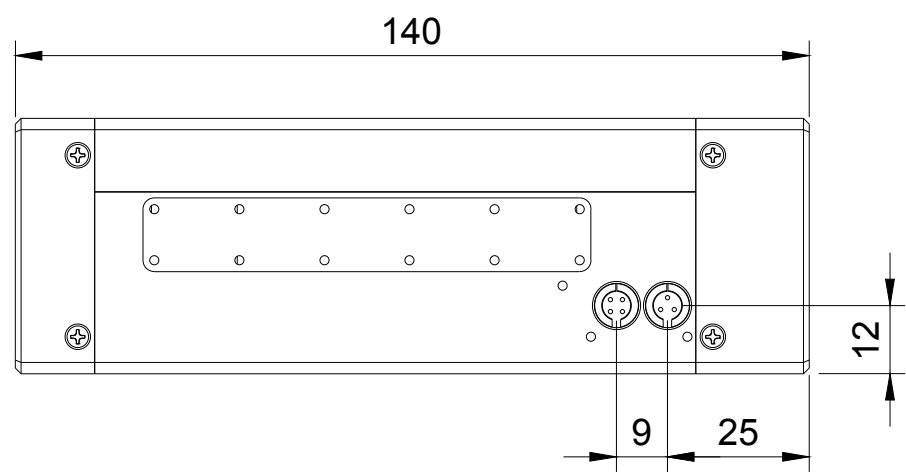


Bottom view



3 x Mounting holes
 M4x0.7 $\nabla 5$

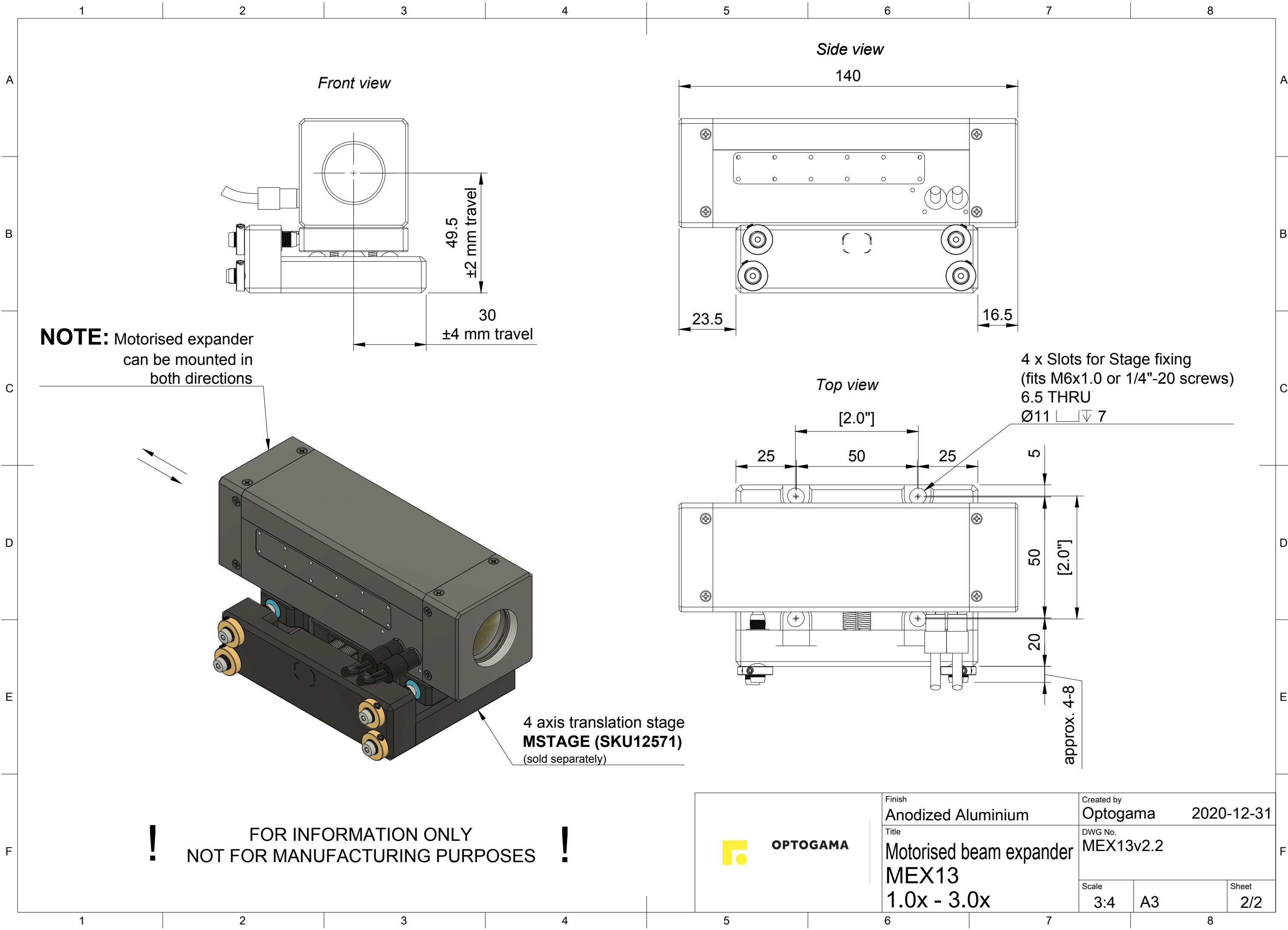
Side view




NOTE: Natural anodized aluminium for UV
 Black anodized aluminium for VIS and NIR

! FOR INFORMATION ONLY
 NOT FOR MANUFACTURING PURPOSES **!**

Finish Anodized Aluminium		Created by 2020-12-31	
Title Motorised beam expander MEX13		DWG No. MEX13v2.2	
Scale 3:4	A3	Sheet 1/2	



 OPTOGAMA	Finish Anodized Aluminium	Created by Optogama	2020-12-31
	Title Motorised beam expander MEX13 1.0x - 3.0x	DWG No. MEX13v2.2	
	Scale 3:4	A3	Sheet 2/2