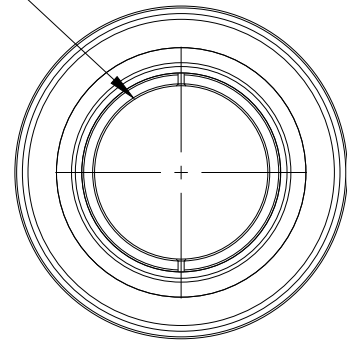


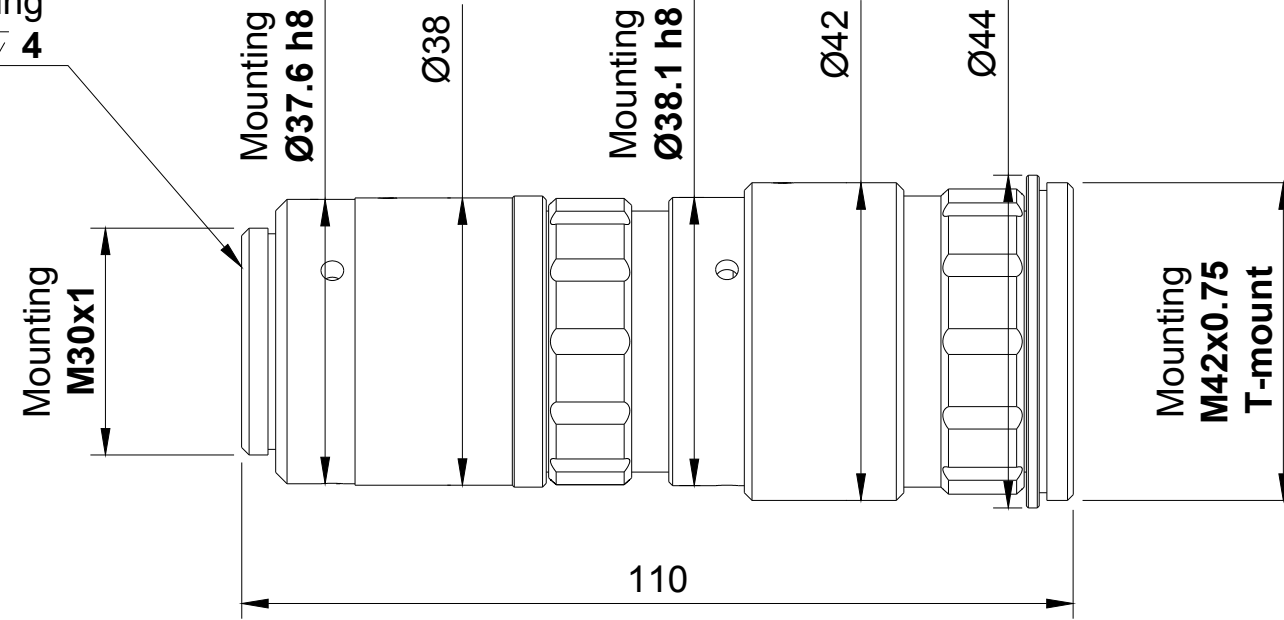
1 2 3 4 5 6 7 8

A

Input CA Ø11
Output CA Ø23.5

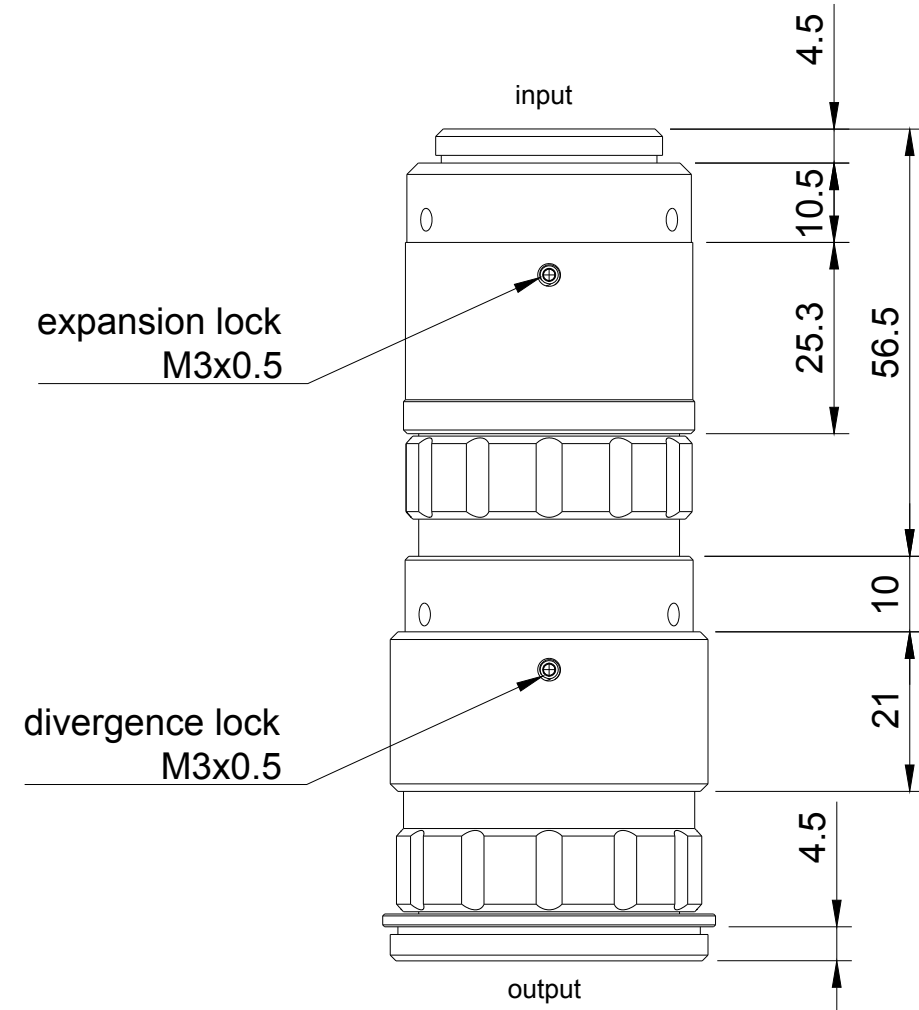


Mounting
internal SM1 (1.035"-40) ∇ 4



B

C

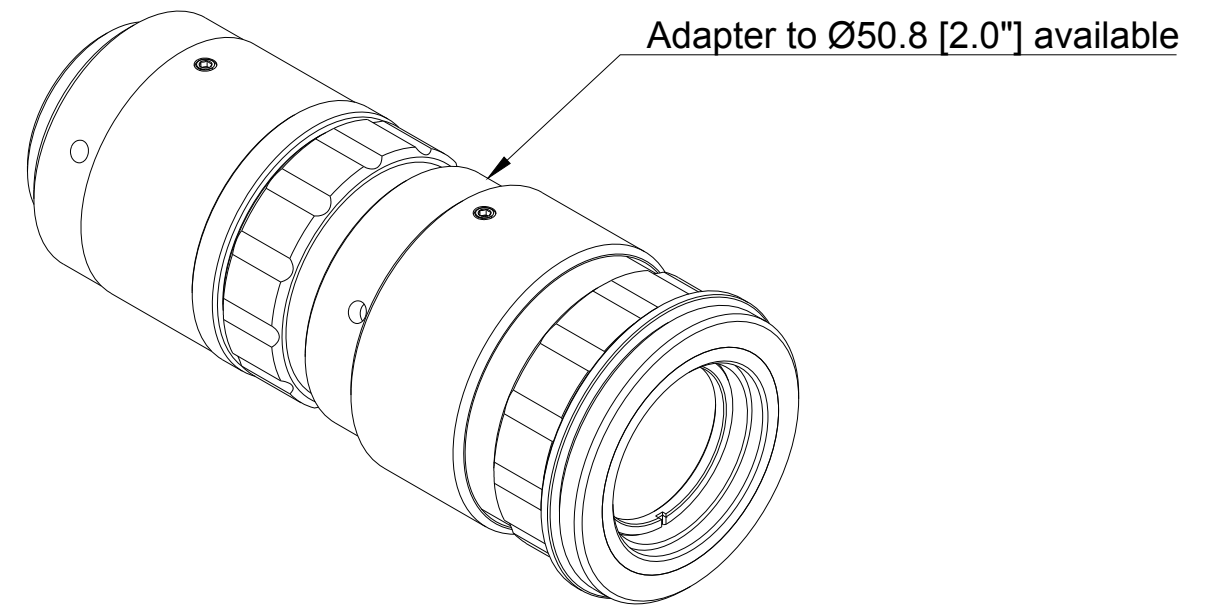


expansion lock
M3x0.5

divergence lock
M3x0.5

D

E



Adapter to Ø50.8 [2.0"] available

F

! FOR INFORMATION ONLY !
NOT FOR MANUFACTURING PURPOSES !

Finish Anodized Aluminium		Created by 31/12/2018	
Title VEX13 Beam expander 1.0x - 3.0x		DWG No. VEX13v4	
Scale 1:1	A3	Sheet 1/1	

1 2 3 4 5 6 7 8