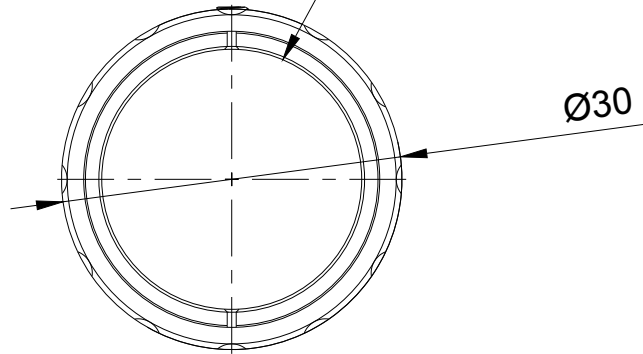
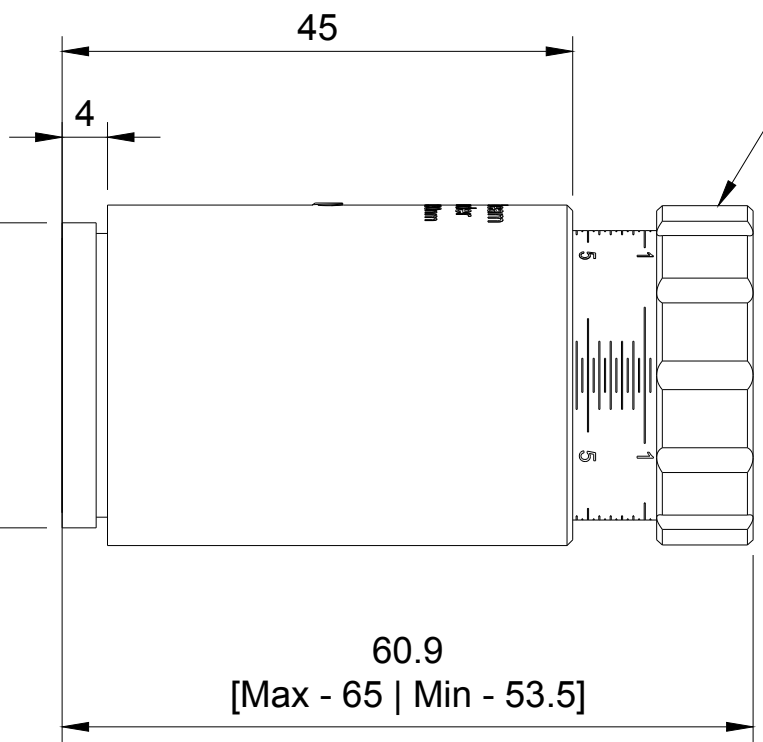


Output CA Ø23
Input CA Ø11.5



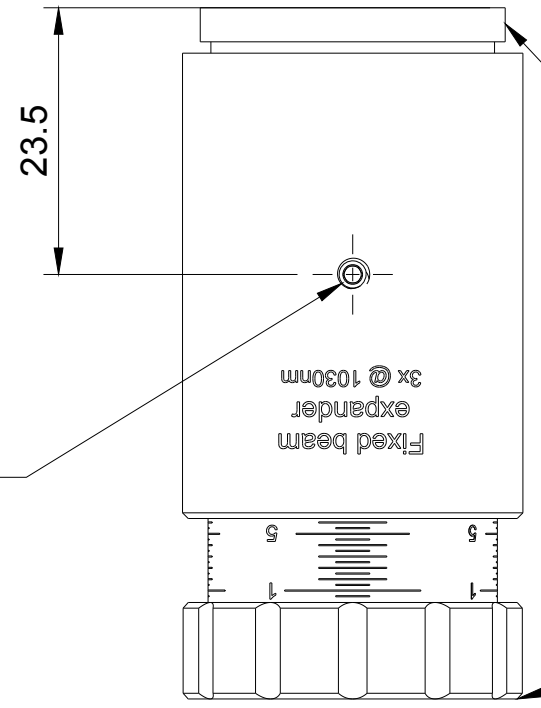
Ø30

THREAD SM1
1.035" - 40



Rotate to adjust Divergence

60.9
[Max - 65 | Min - 53.5]



Lock screw
M3x0.5

Default mounting thread:
SM1 Male

Available mounting adapters:
SM1 Male to M30x1 Male
SM1 Male to C-Mount [1" - 32 UN]

Default mounting thread:
SM1 Female [max 2.3mm]

Available mounting adapters:
SM1 Female to M30x1 Male



FOR INFORMATION ONLY
NOT FOR MANUFACTURING PURPOSES

| | | | |
|-------|------------------------------|---|-----------------------|
| Dept. | Technical reference 1.5:1 | Created by 18/07/2018 | Approved by |
| | | Document type | Document status |
| | | Title FEX3X-1030 fixed beam expander 3X @ 1030nm | DWG No. FEX3X-1030 |
| Rev. | Date of issue | Sheet 1/1 | |