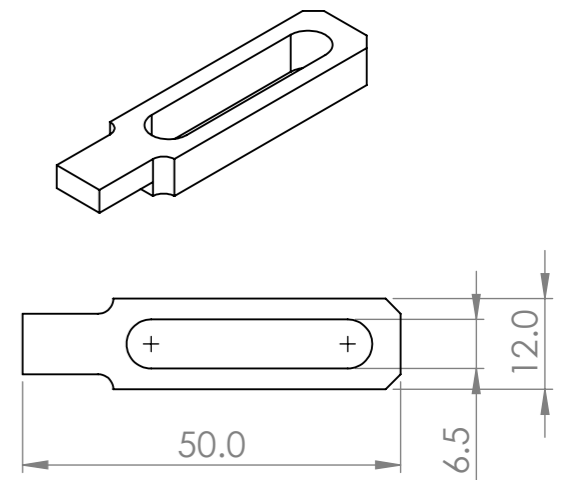
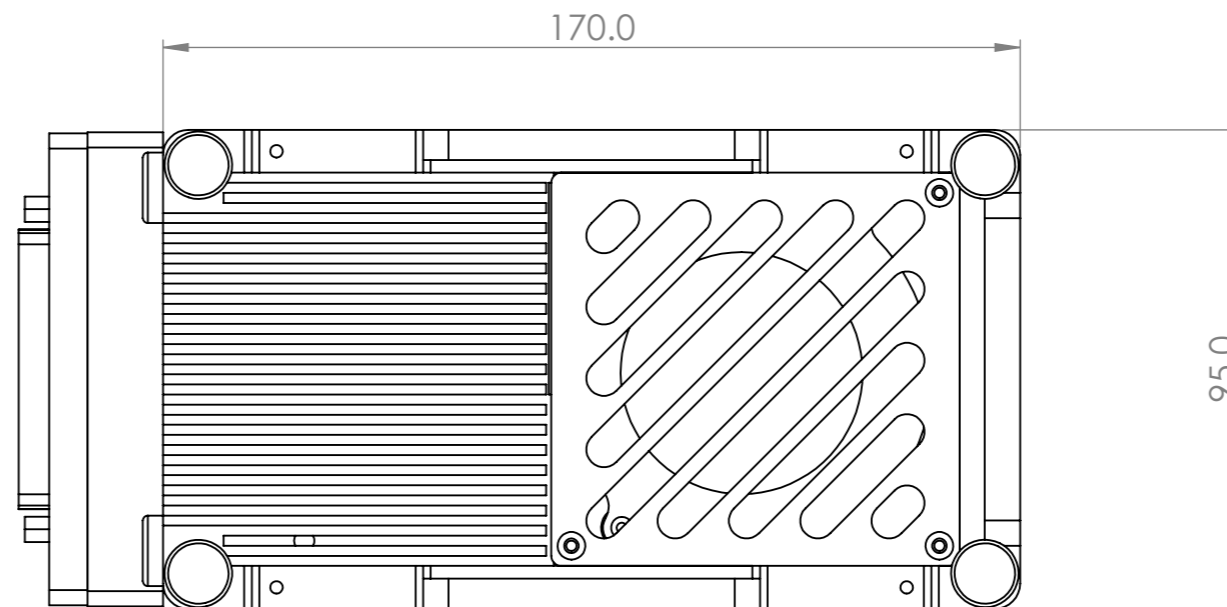
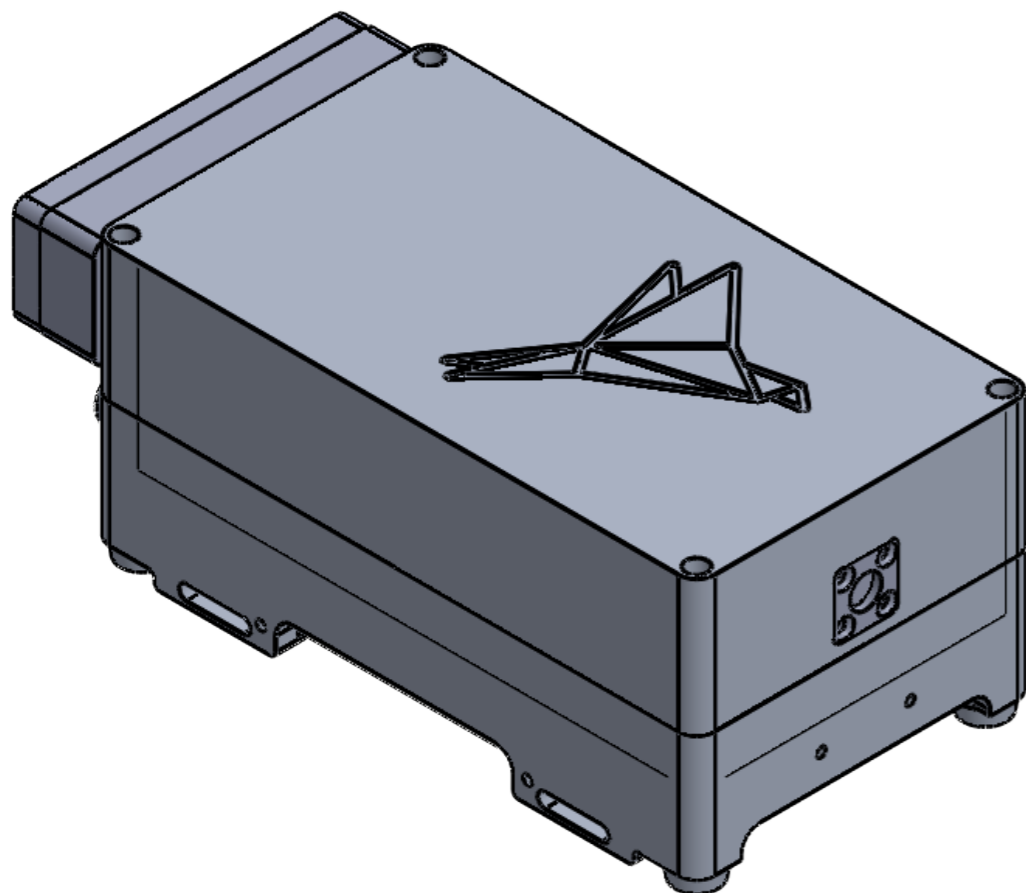


Skylark 320 Micro

Table Clamps for M6 or 1/4" Bolts



Dimensions in mm
 General tolerances: per DIN/ISO 2768-FH
 Form/Position tolerances: per DIN/ISO 1101
 Edges: per DIN/ISO 6784

| | | | |
|----------|----------------|-------------------|--------------|
| | SCALE: 1:2 | STOCK NUMBER: () | |
| | | TITLE: | |
| PROJECT: | MATERIAL: | DWG NO: () | REVISION: |
| | | | SHEET 1 OF 1 |

The copyright in this work belongs to Skylark Lasers Ltd. and the document is issued in confidence for the purposes only for which it is supplied. It should not be copied in whole or in part or used for tendering of manufacturing purposes except under agreement or with written consent of Skylark Lasers Ltd. and then only on the condition that this notice is repeated in any such copy