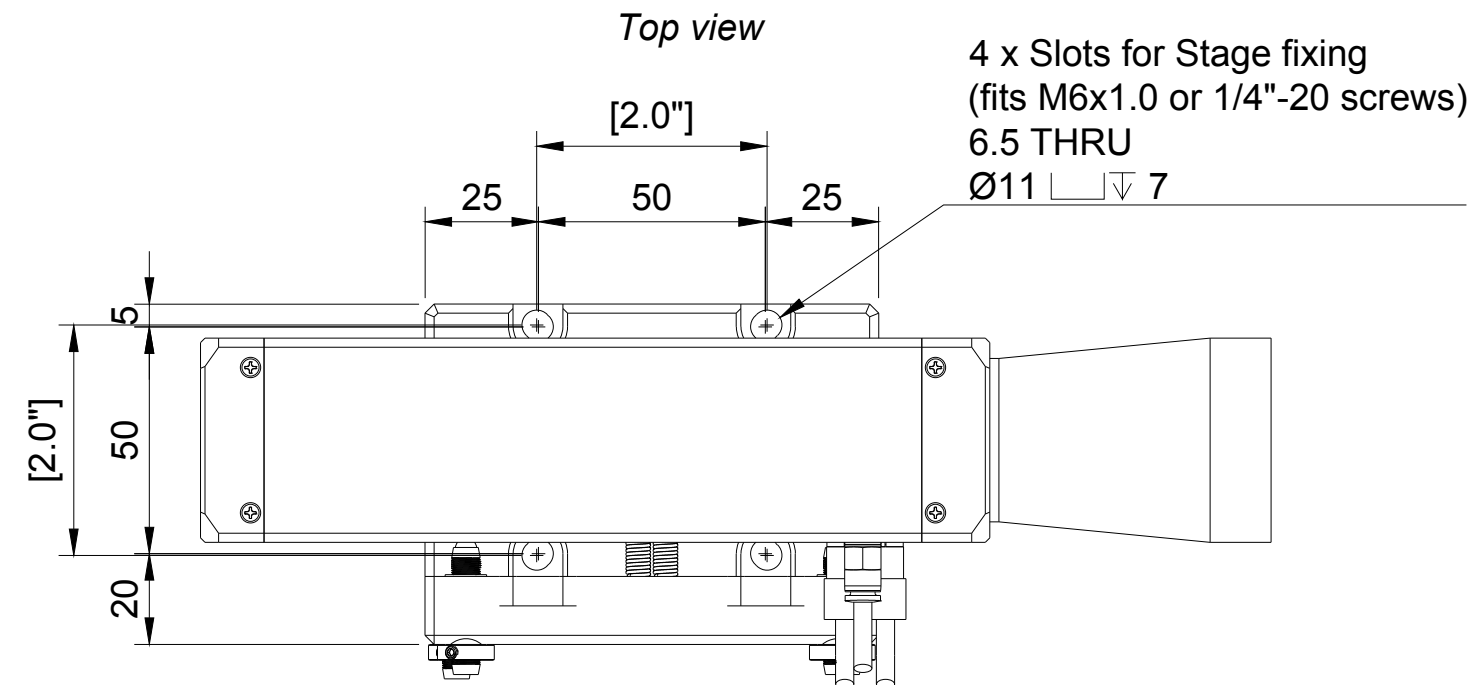
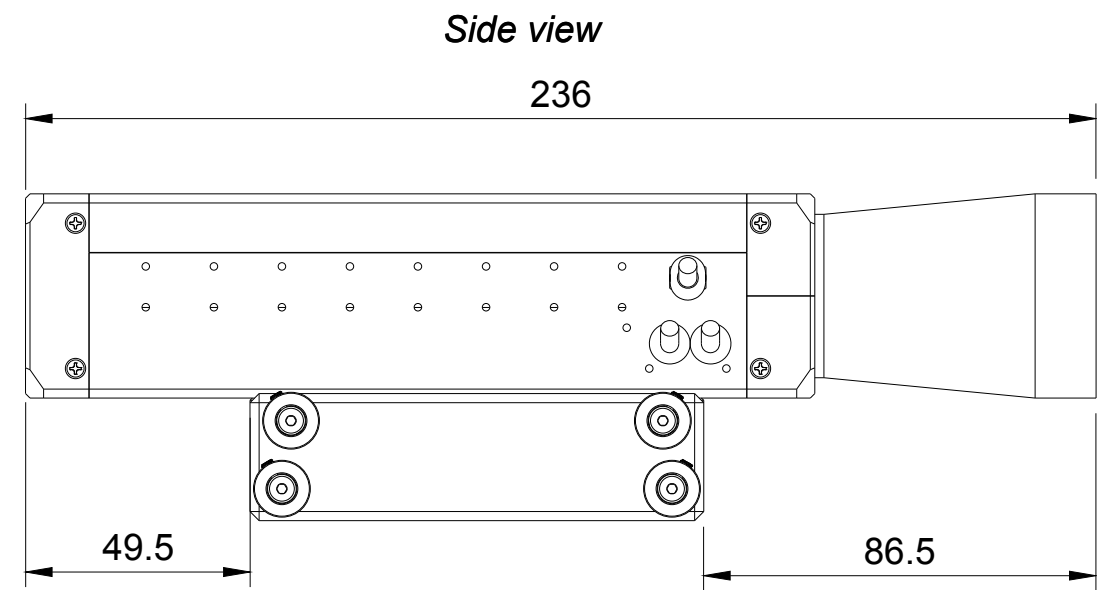
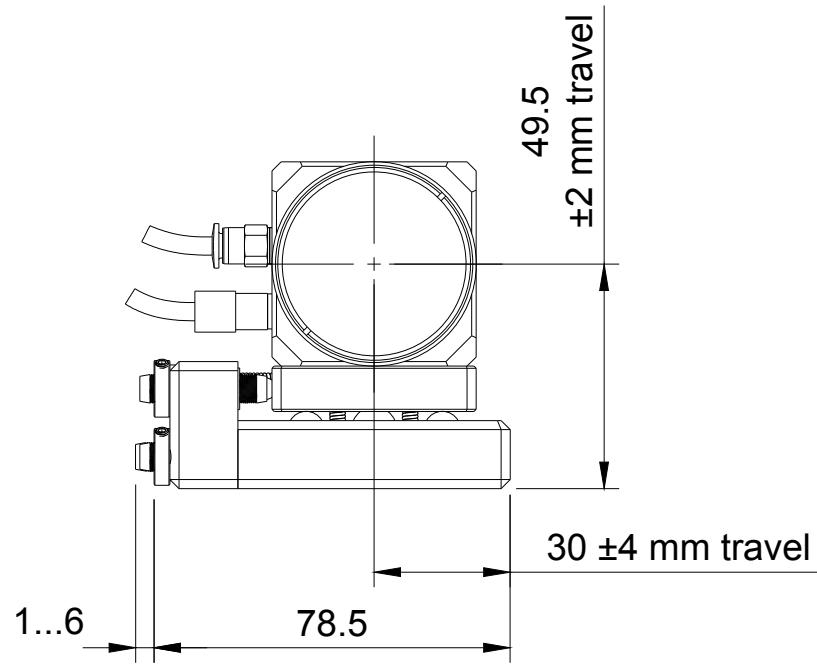
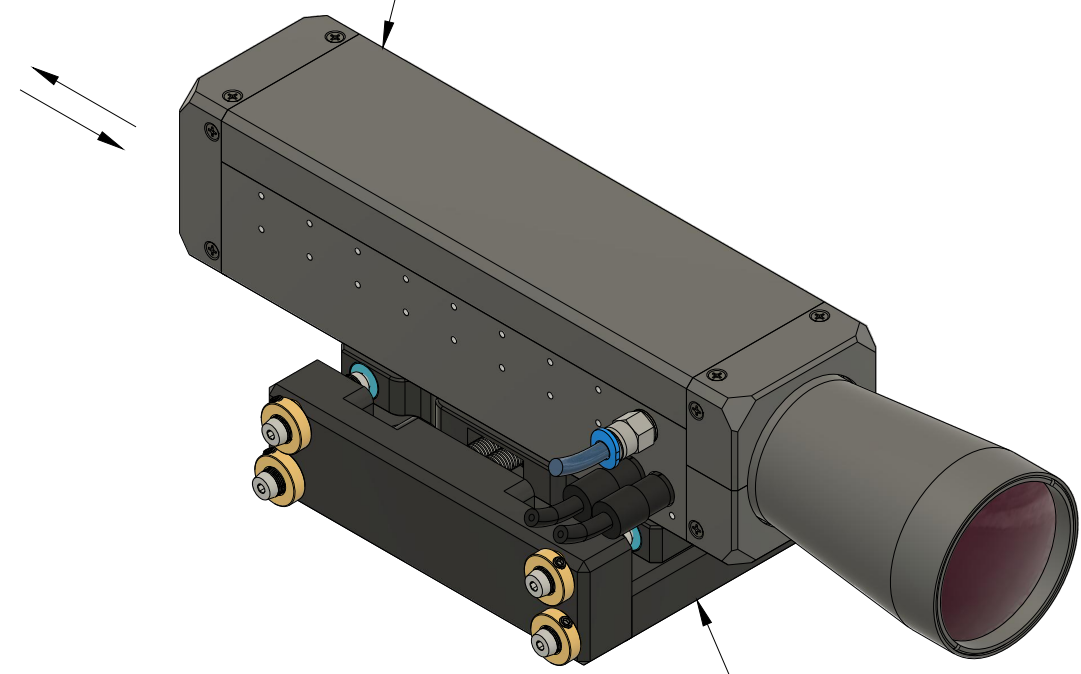


! FOR INFORMATION ONLY **!**
NOT FOR MANUFACTURING PURPOSES

	Finish	Anodized Aluminium		Created by	2023-01-04	
	Title	Motorised beam expander MEX18-v2 1.0x - 8.0x		DWG No.	MEX18-v2 v2.3	
	Scale	3:5	A3	Sheet	1/2	




NOTE: Motorised expander can be mounted in both directions



4 axis translation stage
MSTAGE (SKU12571)
(sold separately)

! FOR INFORMATION ONLY
NOT FOR MANUFACTURING PURPOSES **!**

	Finish Anodized Aluminium	Created by Optogama 2023-01-04	
	Title Motorised beam expander MEX18 v2 1.0x - 8.0x	DWG No. MEX18-v2 v2.3	
	Scale 3:5	A3	Sheet 2/2