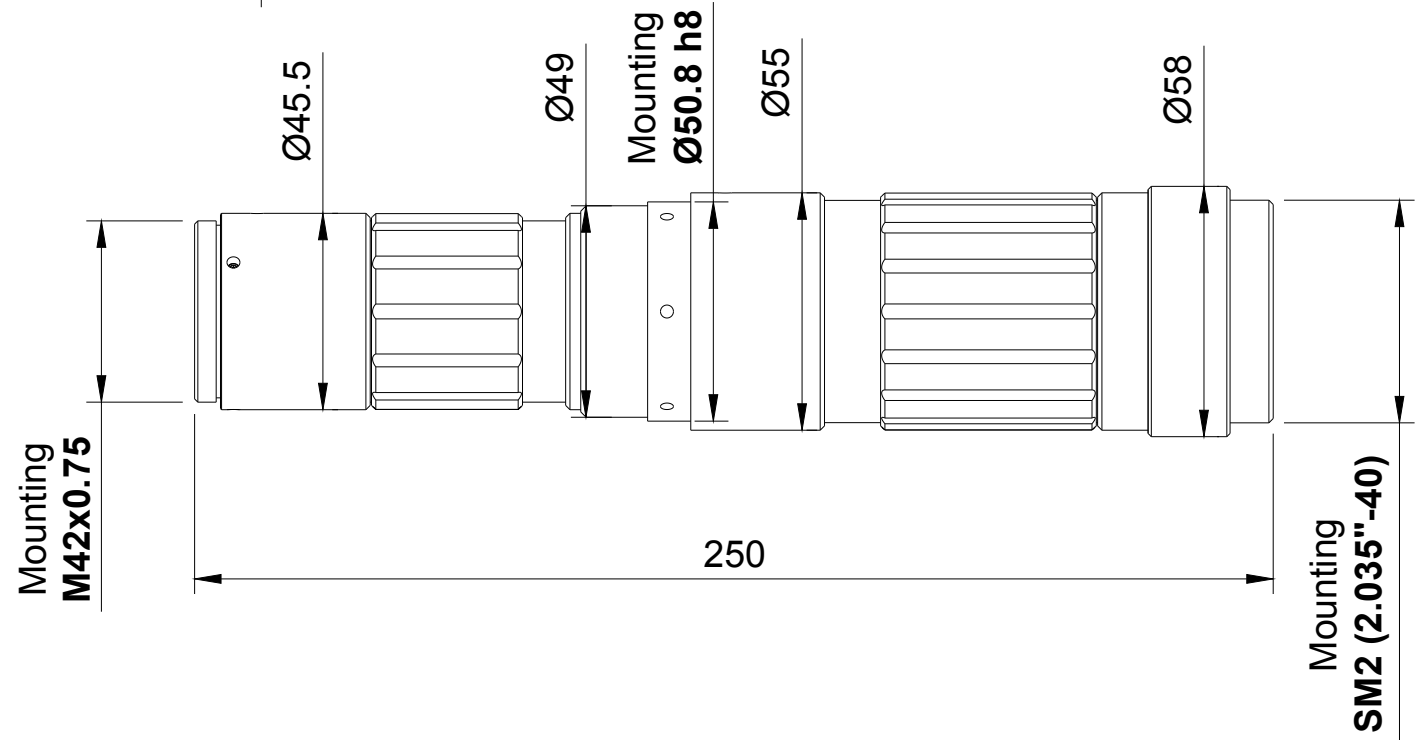
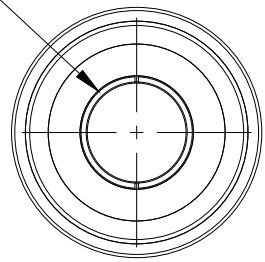
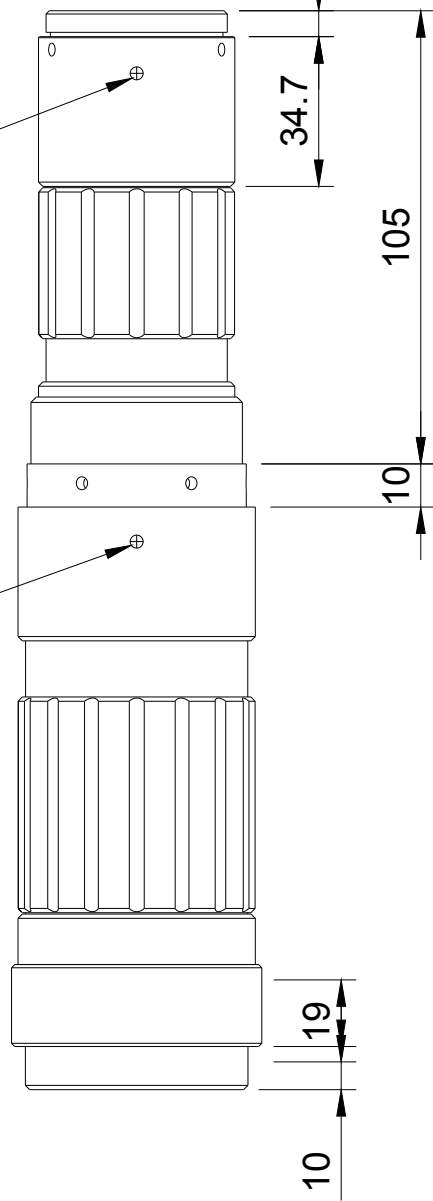


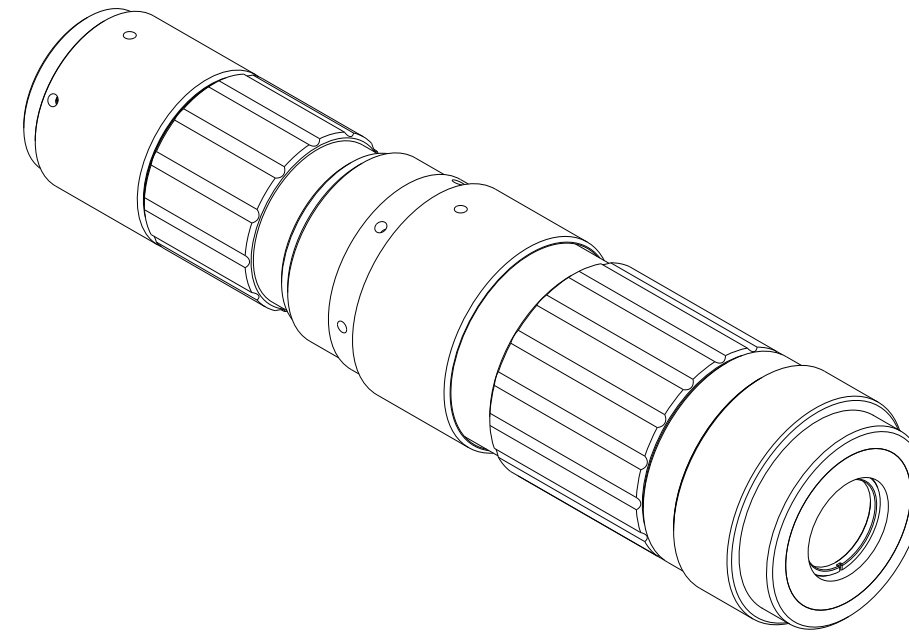
Input CA Ø11
Output CA Ø24



Expansion lock
M3x0.5



Divergence lock
M3x0.5



! FOR INFORMATION ONLY
NOT FOR MANUFACTURING PURPOSES **!**

Finish Anodized Aluminium		Created by 31/12/2018	
VEX15-HPv1 High power beam expander 1.0x - 5.0x		VEX15-HPv1	
Scale 1:1.75	A3	Sheet 1/1	