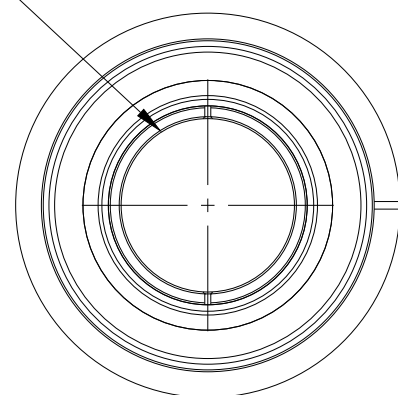


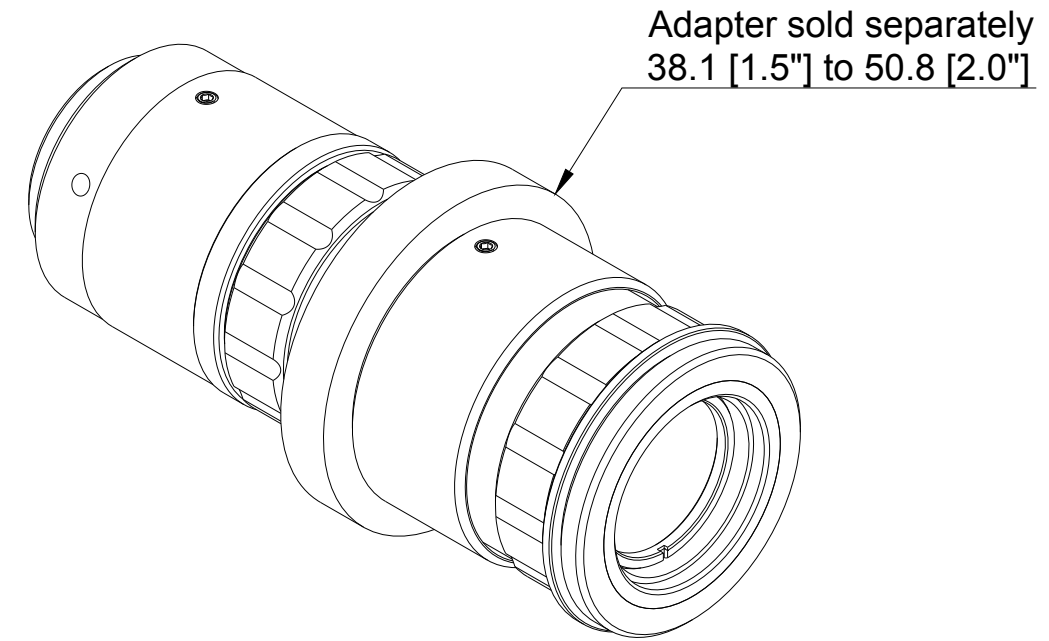
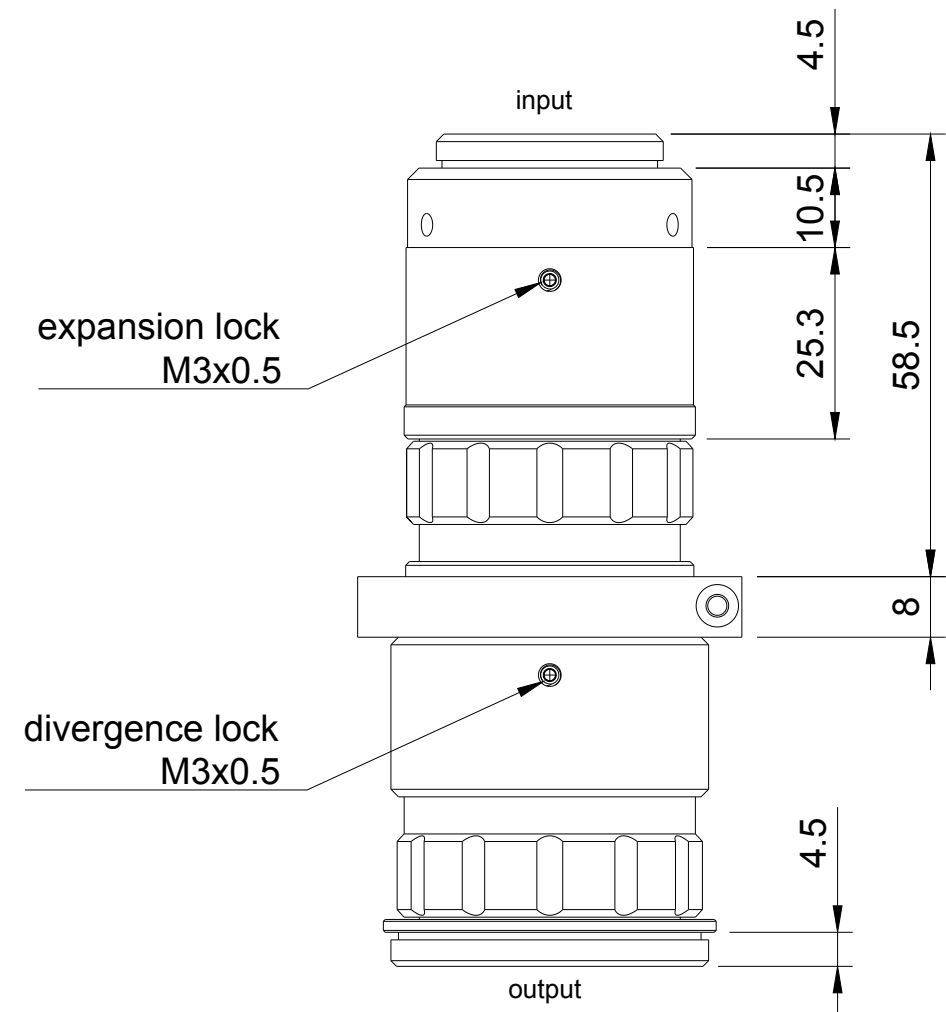
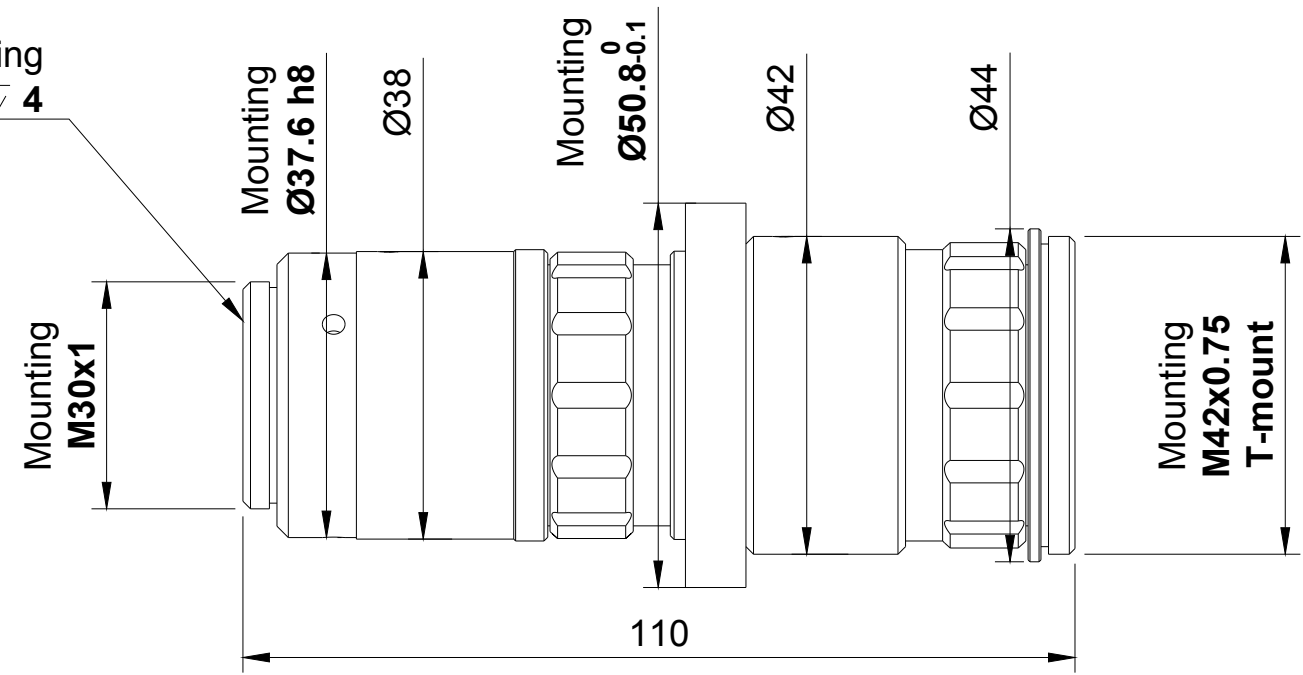
1 2 3 4 5 6 7 8

A
B
C
D
E
F

Input CA Ø11
Output CA Ø23.5



Mounting
internal SM1 (1.035"-40) ∇ 4



! FOR INFORMATION ONLY **!**
NOT FOR MANUFACTURING PURPOSES

Finish Anodized Aluminium		Created by 31/12/2018	
VEX13v4 Beam expander 1.0x - 3.0x		VEX13v4	
Scale 1:1	A3	Sheet 1/1	

1 2 3 4 5 6 7 8