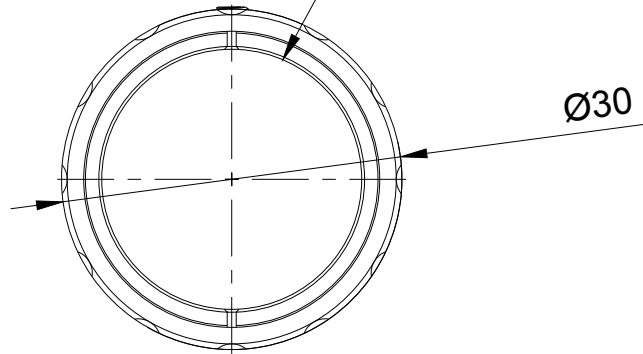
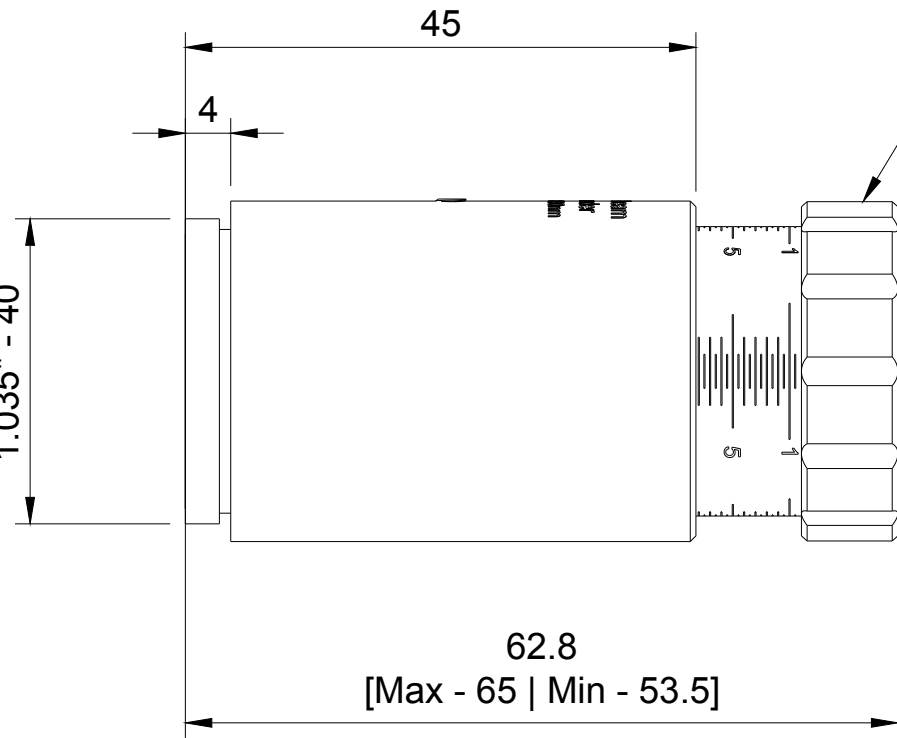


Output CA Ø23
Input CA Ø11.5

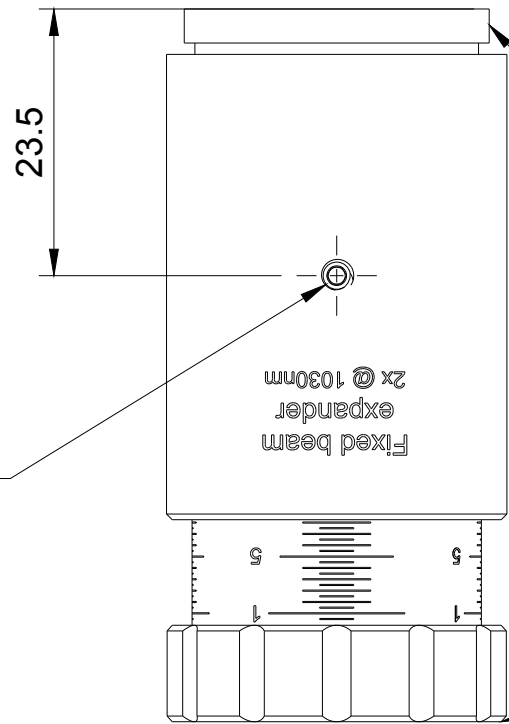


THREAD SM1
1.035" - 40



Default mounting thread:
SM1 Male

Available mounting adapters:
SM1 Male to M30x1 Male
SM1 Male to C-Mount [1" - 32 UN]



Default mounting thread:
SM1 Female [max 2.3mm]

Available mounting adapters:
SM1 Female to M30x1 Male



FOR INFORMATION ONLY
NOT FOR MANUFACTURING PURPOSES

Dept.	Technical reference 1.5:1	Created by 18/07/2018	Approved by
		Document type	Document status
		Title FEX2X-1030 fixed beam expander 2X @ 1030nm	DWG No. FEX2X-1030
		Rev.	Date of issue
		Sheet 1/1	